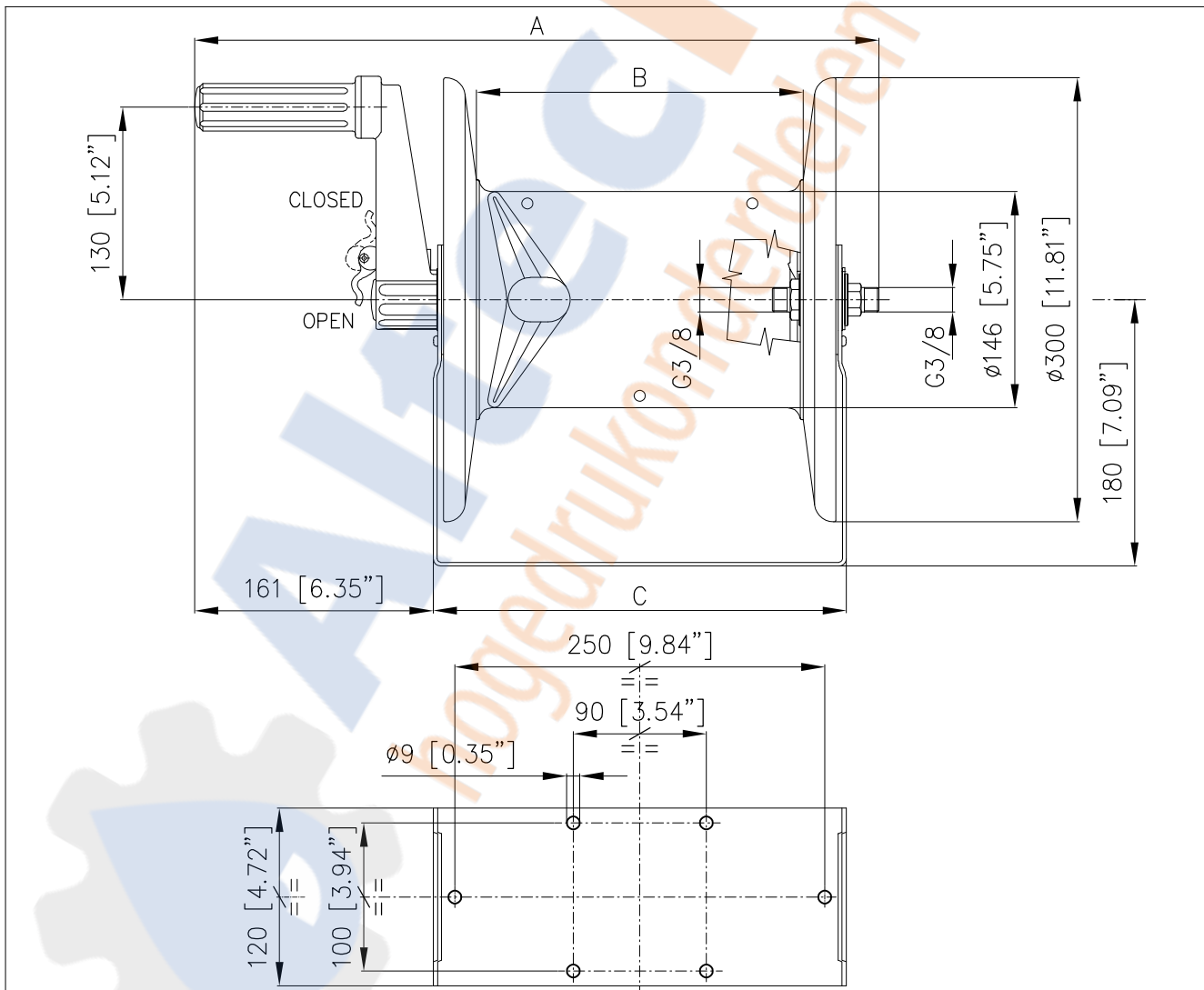


CARATTERISTICHE TECNICHE
SPECIFICATIONS

- PRESSIONE NOMINALE RATED PRESSURE	250 bar – 25 MPa (3650 psi)
- PRESSIONE CONSENTITA PERMISSIBLE PRESSURE	280 bar – 28 MPa (4050 psi)
- TEMPERATURA MASSIMA MAX WORKING TEMPERATURE	90° C (195° F)
- MATERIALE MATERIAL	MATERIALE PLASTICO AD ALTA RESISTENZA ANTIURTO CON GIUNTO GIREVOLE IN OTTONE PER T26-T46 (ACCIAIO INOX PER T27-T47) E SUPPORTO IN ACCIAIO VERNICIATO T26-T46 (ACCIAIO INOX PER T27-T47). STRONG SHOCKPROOF PLASTIC WITH BRASS SWIVEL FOR T26-T46 (STAINLESS STEEL FOR T27-T47) AND PAINTED STEEL SUPPORT T26-T46 (STAINLESS STEEL FOR T27-T47).

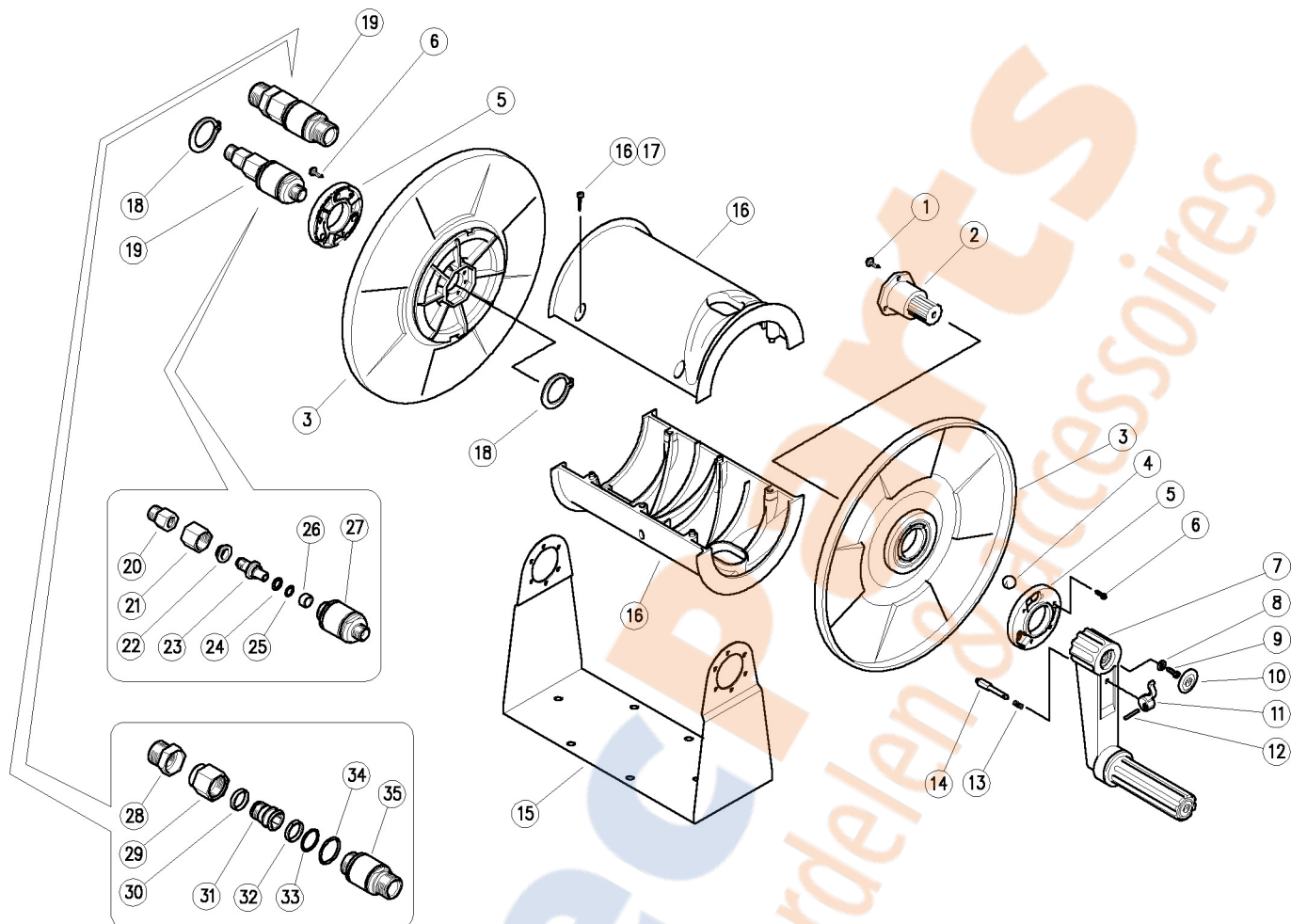
MISURE D'INGOMBRO
OVERALL DIMENSIONS



CODICE CODE	MODELLO TYPE	LUNGHEZZA TUBO HOSE LENGTH	ATTACCO CONNECTION	A	B	C
29.0720.00	T26	20m (21.9 yd) ϕ 20mm (3/8")	G 3/8 M.M.	462 (18.43")	220 (8.66")	279 (10.98")
29.0740.00	T46	40m (43.7 yd) ϕ 20mm (3/8")	G 3/8 M.M.	548 (21.57")	306 (12.05")	365 (14.37")
29.0727.00	T27 INOX	20m (21.9 yd) ϕ 20mm (3/8")	G 3/8 M.M.	489 (19.25")	220 (8.66")	279 (10.98")
29.0747.00	T47 INOX	40m (43.7 yd) ϕ 20mm (3/8")	G 3/8 M.M.	575 (22.64")	306 (12.05")	365 (14.37")

29.0727.00 T27 H.reel,plast.3/8MM Bsp 20m+sst.sw.
 29.0728.00 T28 H.reel,plast.3/4MM Bsp 18m+sst.sw.

29.0747.00 T47 H.reel,plast.3/8MM Bsp 40m+sst.sw.



Pos.	P/N	Description	Q.ty	K1	K2	K3	K4	Pos.	P/N	Description	Q.ty	K1	K2	K3	K4
1	16.3092.94R	S/tapping screw, DIN7981 4x14 mm Sst.	3					17	16.3077.51R	S/tapping screw, 3,5x20 mm Sst. (1)	8				
2	29.0713.84R	Transmission pin, PA black	1					18	10.1035.05R	Snap ring, E 35 Sst.	2				3
3	29.0712.84R	Side disc, black	2				2	19	26.1150.00	Sw -hose reel, Sst. -compl. -2 seeger	1				3
4	14.7427.00R	Ball, 7 mm Sst.	3				10	20	26.1101.51R	Back cpl.,M12 F-3/8M Bsp c/sunk sst	1				5
5	29.0714.84R	Washer, POM black	2				5	21	26.1042.51R	Ring nut, M22x1 Sst.	1				5
6	16.3092.92R	S/tapping screw, DIN7981 4x12 mm Sst.	6				10	22	26.1045.84R	Bushing, 12x20x6 mm Plast.	1				10
7	29.0723.21R	Crank, black	1	•			2	23	26.1041.51R	Pin, M12x1,25 Sst.	1				5
8	14.3569.05R	Washer, 6,4x11x1 mm Sst.	1				10	24	10.4010.01R	Back-up ring,10,2x13,9x1,2mm	1				50
9	16.3096.25R	S/tapping screw, DIN7976 6x25 mm Sst.	1				10	25	10.3109.95R	O-ring, 2,4x9,3 mm Vi 70	1				25
10	41.0411.84R	Plug, Knob PP black	1				5	26	26.1046.84R	Bushing, 10x14x7 mm Plast.	1				10
11	29.0716.84R	Lever, PA red	1	•			5	27	26.1151.51R	Housing, M22x1M-3/8M Bsp Sst.	1				5
12	15.1035.00R	Parallel pin, 3x19 mm Sst.	1	•			10	28	26.1181.51R	Coupling, 3/4M Bsp-M20x1F Sst.	1				5
13	29.0722.51R	Spring, 0,7x6,9x24 mm Sst.	1	•			5	30	26.1183.85R	Bushing, 20,5x24x4 mm PTFE	1				10
14	29.0717.31R	Safety stud, brass	1	•			5	31	26.1182.51R	Pin, M20x1M-24 mm Sst.	1				10
15	29.0721.53R	Support -T27, Sst.	1				1	32	26.1184.85R	Bushing, open 20,5x24x4 mm PTFE	1				10
15	29.0741.53R	Support -T47, Sst. (1)	1				1	33	10.3093.00R	O-ring, 2x20 mm	1				10
16	29.0725.84R	Semi-shell -T26, PA black	2				2	34	10.3073.00R	O-ring, 1,78x23,52 mm	1				10
16	29.0745.84R	Semi-shell -T46, PA black (1)	2				2	35	26.1187.51R	Housing, 3/4 Bsp MM Sst.	1				5
17	16.3077.51R	S/tapping screw, 3,5x20 mm Sst.	6				10								

Kit	P/N	Description	Q.ty
K1	29.9210.98R	Kit crank, black	2

(1) 29.0747.00