

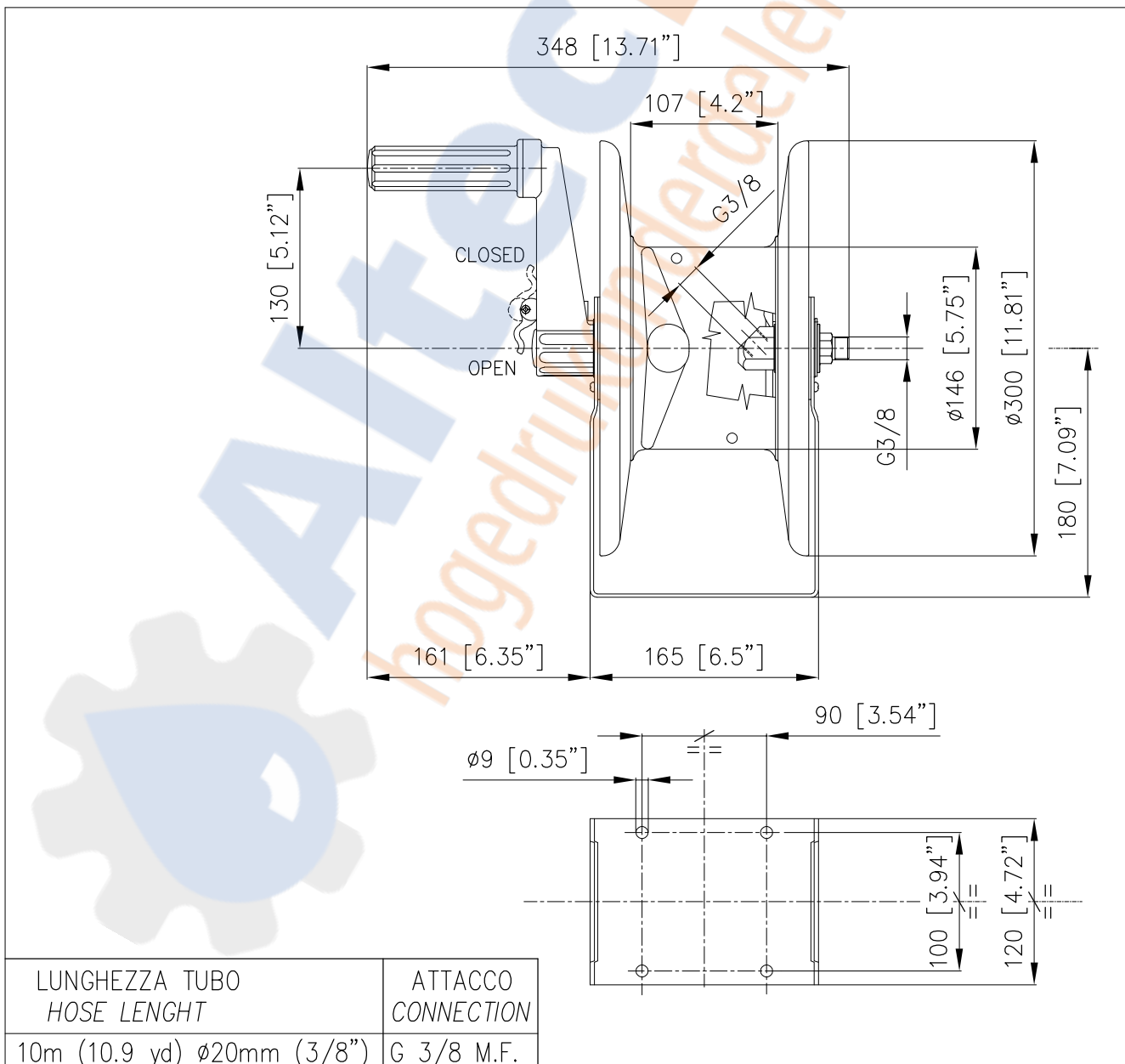
	E QUIPAGGIAMENTI T ECNICI L AVAGGIO	T16 - 29.0710.00 AVVOLGITUBO IN PLASTICA HOSE REEL-THERMOPLASTIC		
				

CARATTERISTICHE TECNICHE SPECIFICATIONS

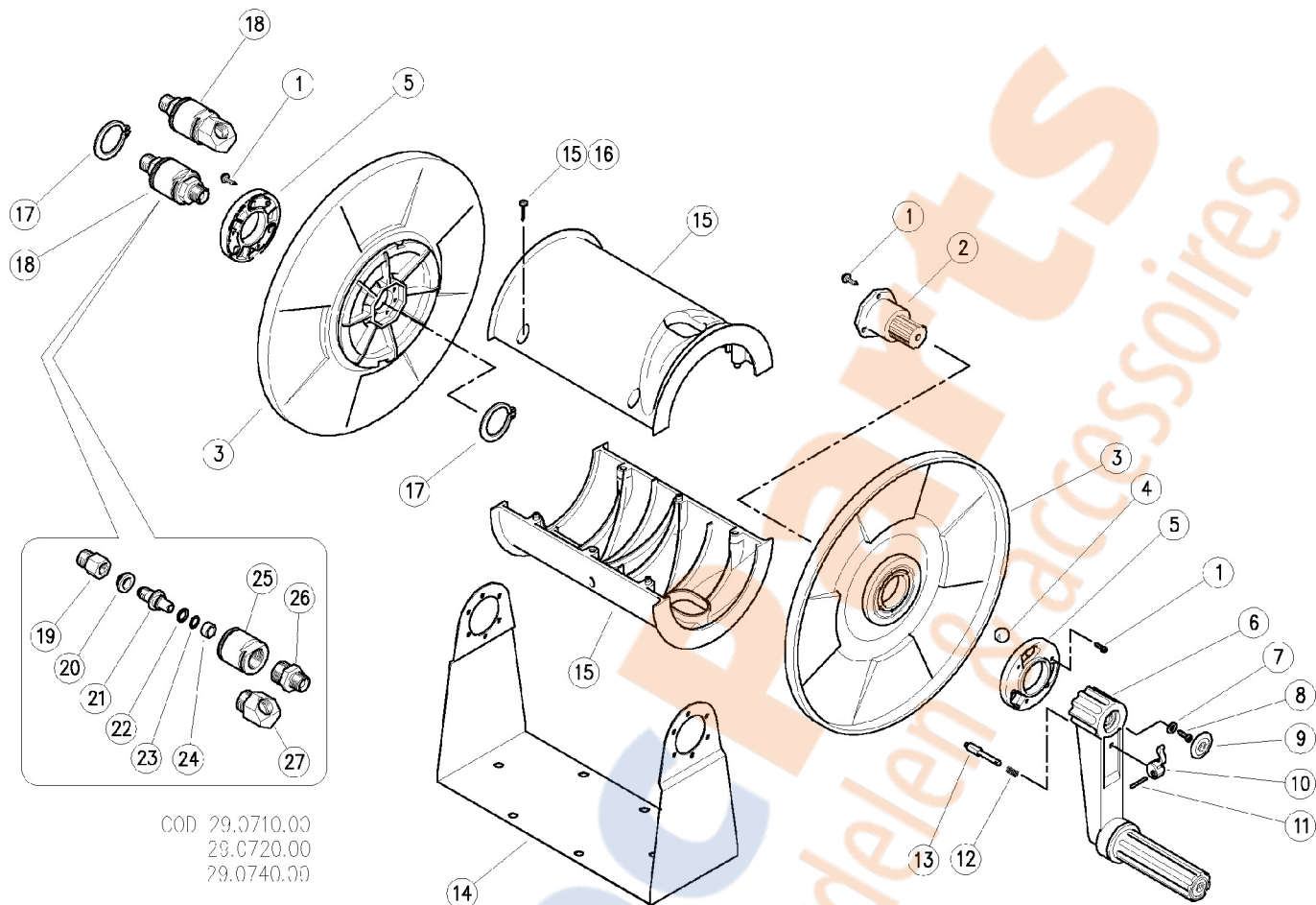
- PRESSIONE NOMINALE RATED PRESSURE	250 bar - 25 MPa (3650 psi)
- PRESSIONE CONSENTITA PERMISSIBLE PRESSURE	280 bar - 28 MPa (4050 psi)
- TEMPERATURA MASSIMA MAX WORKING TEMPERATURE	90° C (195° F)
- MATERIALE MATERIAL	MATERIALE PLASTICO AD ALTA RESISTENZA ANTIURTO CON GIUNTO GIREVOLE IN OTTONE E SUPPORTO IN ACCIAIO VERNICIATO. STRONG SHOCKPROOF PLASTIC WITH BRASS SWIVEL AND PAINTED SUPPORT.

MISURE D'INGOMBRO OVERALL DIMENSIONS



29.0710.00 T16 H.reel,plast.3/8MF Bsp 10m+brass sw.
 29.0720.00 T26 H.reel,plast.3/8MM Bsp 20m+brass sw.

29.0740.00 T46 H.reel,plast.3/8MM Bsp 40m+brass sw.



COD 29.0710.00
 29.0720.00
 29.0740.00

Pos.	P/N	Description	Q.ty	K1	K2	K3	K4	Pos.	P/N	Description	Q.ty	K1	K2	K3	K4
1	16.3092.12R	S/tapping screw, DIN7981 4x12 mm	9					10	15 29.0725.84R	Semi-shell -T26, PA black (2)	2				2
2	29.0713.84R	Transmission pin, PA black	1					10	15 29.0745.84R	Semi-shell -T46, PA black (3)	2				2
3	29.0712.84R	Side disc, black	2					16	16.3077.51R	S/tapping screw, 3,5x20 mm Sst. (1)	4				10
4	14.7427.00R	Ball, 7 mm Sst.	3					10	16 16.3077.51R	S/tapping screw, 3,5x20 mm Sst. (2)	6				10
5	29.0714.84R	Washer, POM black	2					16	16.3077.51R	S/tapping screw, 3,5x20 mm Sst. (3)	8				10
6	29.0723.21R	Crank, black	1	•				17	10.1035.00R	Snap ring, E 35	2				10
7	14.3569.05R	Washer, 6,4x11x1 mm Sst.	1					18	26.1120.00	Sw -T16, brass -compl. (1)	1				1
8	16.3096.25R	S/tapping screw, DIN7976 6x25 mm Sst.	1					18	26.1100.00R	Sw-hose reel, brass -compl.	1				1
9	41.0411.84R	Plug, Knob PP black	1					19	26.1101.31R	Back cpl.,M12 F-3/8M Bsp c/sunk brs	1				10
10	29.0716.84R	Lever, PA red	1	•				20	26.1045.84R	Bushing, 12x20x6 mm Plast.	1				10
11	15.1035.00R	Parallel pin, 3x19 mm Sst.	1	•				21	26.1041.31R	Pin, M12x1,25 brass	1				10
12	29.0722.51R	Spring, 0,7x6,9x24 mm Sst.	1	•				22	10.4010.01R	Back-up ring,10,2x13,9x1,2mm	1				50
13	29.0717.31R	Safety stud, brass	1	•				23	10.3109.95R	O-ring, 2,4x9,3 mm Vi 70	1				25
14	29.0711.63R	Support -T16, painted black (1)	1					24	26.1046.84R	Bushing, 10x14x7 mm Plast.	1				10
14	29.0721.63R	Support -T26, painted black (2)	1					25	26.1104.31R	Housing, M22x1F brass	1				5
14	29.0741.63R	Support -T46, painted black (3)	1					26	26.1105.31R	Coupling, 3/8M Bsp-M22x1M brass	1				5
15	29.0715.84R	Semi-shell -T16, PA black (1)	2					27	26.1121.31R	Coup., 45° 3/8F Bsp-M22x1M brass (1)	1				5

Kit	P/N	Description	Q.ty
K1	29.9210.98R	Kit crank, black	2

(1) 29.0710.00 (2) 29.0720.00 (3) 29.0740.00