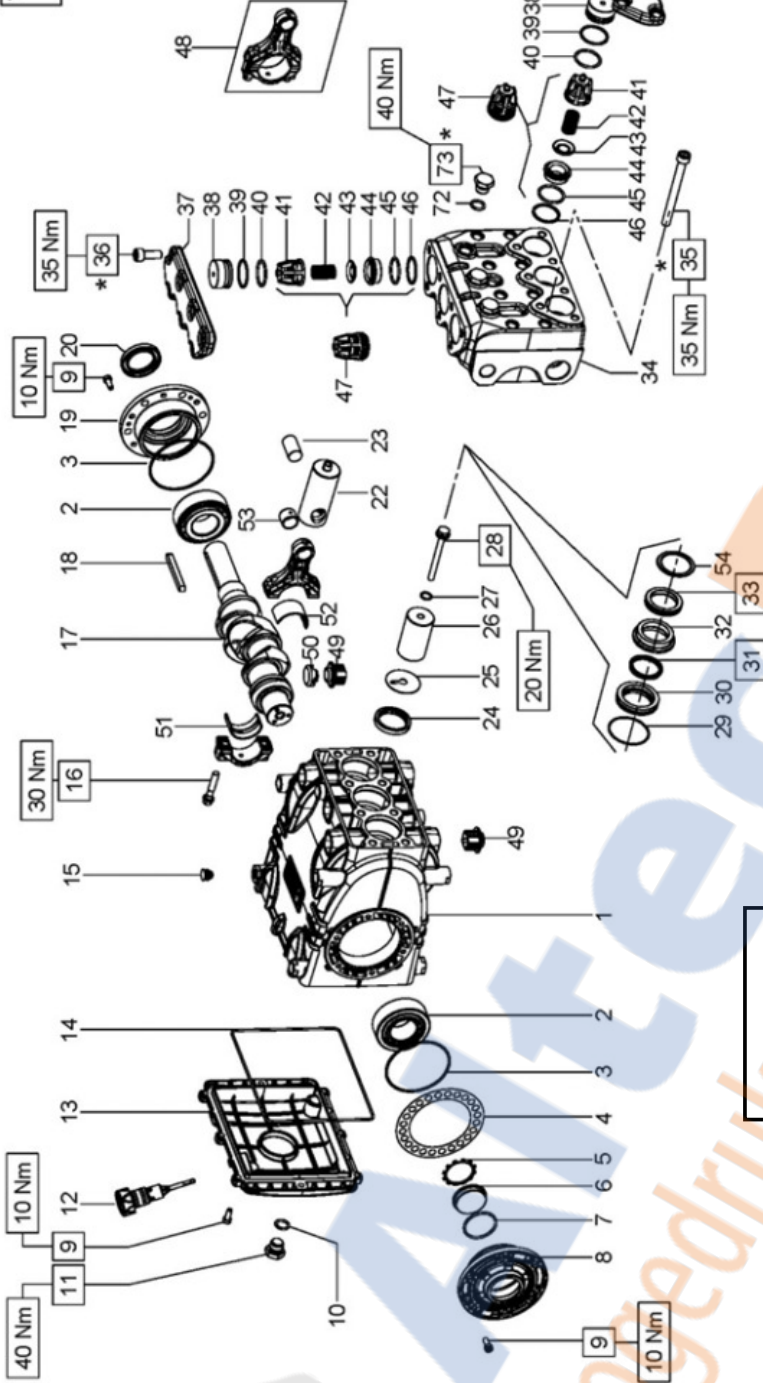


VERSIONI: SS7061H
SS7070H
SS7091H



* Lubrificare le filetture con grasso al Bisolfuro di Molibdeno.
* Lubricate the threads with Molybdenum Disulfide grease.
* Graisser le filetage avec Bisulfure de Molybdène graisse.
* Schmierien Sie die Gewinde mit Molybdändisulfidfrtt.
* Lubrifique las rosas con grasa de Disulfuro de Molibdeno.
* Lubrifique com graxa de Molibdênio Dissulfreto.

** Lubrificare con grasso al silicone.
** Lubricate with silicon grease.
** Graisser avec de la graisse su silicone.
** Schmierien mit Silikonfett.
** Lubrifique con grasa de silicona.
** Lubrifique com graxa de silicona.

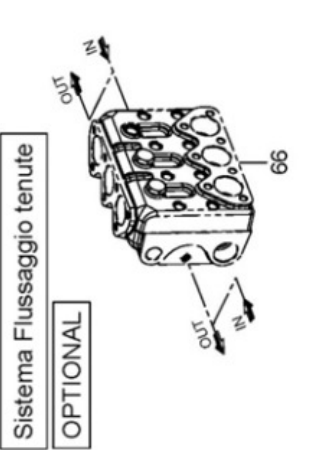
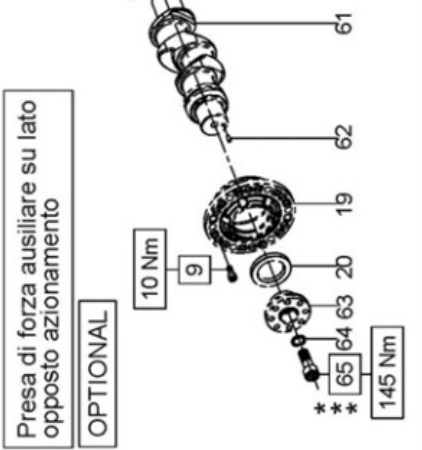
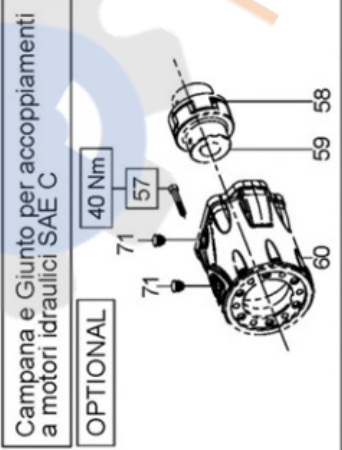
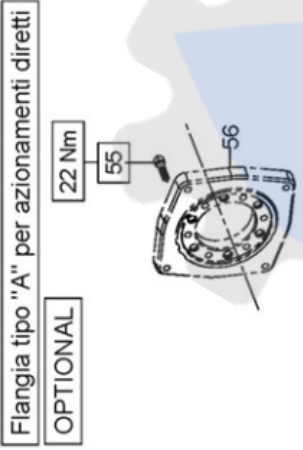
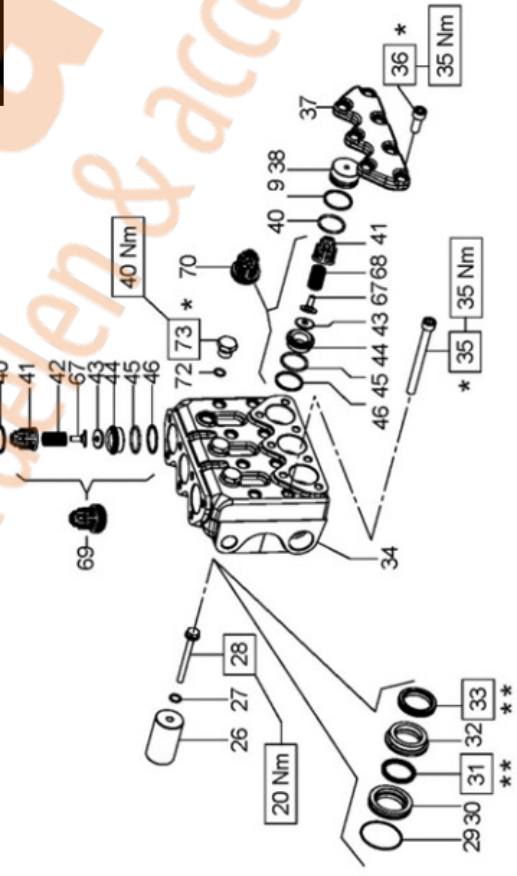
*** Fissare con Loctite 243 col. BLU
*** Affix with Loctite 243 col. BLUE
*** Fixer avec de la Loctite 243 couleur BLUE
*** Mit Loctite 243 BLAU befestigen
*** Fijar con Loctite 243 col. AZUL
*** Fixar com Loctite 243 cor. BLUE

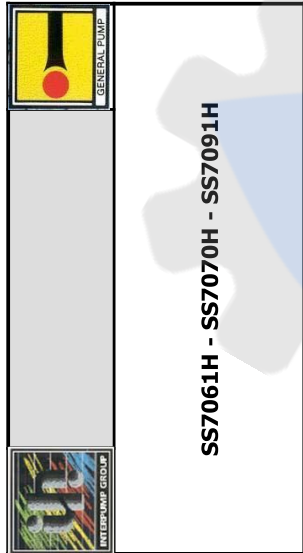
COD. DIS. 70.9510.00

SERIE 70

SS

VERSIONI: SS7030
SS7037
SS7045





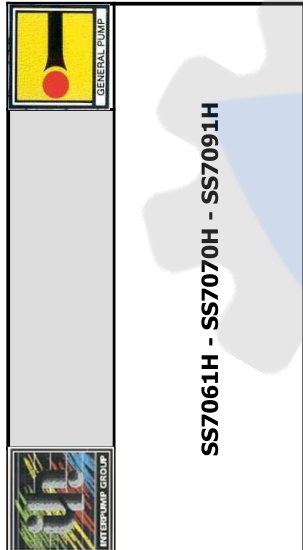
SS7061H - SS7070H - SS7091H

KIT RICAMBI – SPARE KITS

| KIT NR. | KIT 2040 | PISTONE – PISTON D. 28 | | PISTONE – PISTON D. 30 | | KIT 2122 |
|-----------------------------------------------|---------------------------------------|-------------------------|----------|------------------------|----------|--------------------------------------------------------------------------------|
| | | KIT 2156 2157 - 2158 | KIT 2119 | KIT 2204 | KIT 2213 | |
| Posizioni incluse Positions included | 41 - 42 43 - 44 45 - 46 (47) | 51 - 52 | 31 - 33 | 31 - 33 | 31 - 33 | 3 - 5 - 7 10 - 14 - 20 24 - 27 - 29 31 - 33 - 39 40 - 45 - 46 - 72 |
| Nr. Pcs. | 6 | 3 | 3 | 3 | 3 | 1 |

| PISTON D. 28 | | PISTON D. 30 | | PISTON D. 36 | | | |
|--------------|--------------------------|-----------------------------------------------------|----|--------------|----------------------------------------|---------------------------------------------------------------------------------------------------------------------------|----|
| POS | COD. | DESCRIZIONE – DESCRIPTION - KIT | NR | POS | COD. | DESCRIZIONE – DESCRIPTION - KIT | NR |
| 1 | 70.0100.22 | Carter pompa | 1 | 18 | 91.4900.00 | Linguetta 8x7x70 UNI 6604 | 1 |
| 2 | 91.8477.00 | Cuscinetto a sfere | 2 | 19 | 70.1500.22 | Coperchio cuscinetto lato PTO | 1 |
| 3 | 90.3915.00 | OR D. 80.6x2.62 NBR SH. 70 3318 2041-2122-2213 | 2 | 20 | 90.1668.00 | Anello rad. D. 35.0x52.0x7.0 2041-2122-2213 | 1 |
| 4 | 70.2200.81 70.2203.81 | Spessore 0.1 mm. Spessore 0.25 mm. | - | 22 | 70.0500.15 | Guida pistone | 3 |
| 5 | 90.0756.00 | Anello d'arresto D. 45 | 1 | 23 | 97.7420.00 | Spinotto D. 18x36 | 3 |
| 6 | 70.2118.01 | Spia livello olio | 1 | 24 | 90.1677.00 | Anello rad. D. 36.0x47.0x6.0/7.5 2041-2122-2213 | 3 |
| 7 | 90.3877.00 | OR D. 39.34x2.62 NBR SH. 70 3156 2041-2122-2213 | 1 | 25 | 96.7099.00 | Rosetta D. 10.0x45.0x1.0 | 3 |
| 8 | 70.1501.22 | Coperchio cuscinetto lato spia | 1 | 26 | 70.0403.09 70.0404.09 70.0405.09 | Pistone D. 28x62 Pistone D. 30x62 Pistone D. 36x62 | 3 |
| 9 | 99.1852.00 | Vite M6x16 UNI 5931 | 20 | 27 | 90.3671.00 | OR D. 11.00x2.00 NBR SH. 90 2041-2122-2213 | 3 |
| 10 | 90.3833.00 | OR D. 13.95x2.62 NBR SH. 70 3056 2041-2122-2213 | 1 | 28 | 70.2218.66 | Vite fissaggio pistone | 3 |
| 11 | 98.2100.66 | Tappo G 3/8"x13 | 1 | 29 | 90.3626.00 | OR D. 50.52x1.78 NBR SH. 70 2200 2041-2122-2213 | 3 |
| 12 | 98.2115.00 | Tappo con asta D. 21.5x70 | 1 | 30 | 70.0811.66 70.0814.66 70.0810.66 | Anello di fondo D. 28 Anello di fondo D. 30 Anello di fondo D. 36 | 3 |
| 13 | 70.1600.22 | Coperchio posteriore carter | 1 | 31 | 90.2381.00 90.2759.50 90.2400.00 | An. ten. alt. D. 28x34.15 LP 2119-2122 An. ten. alt. D. 30x36.10 LP 2204-2213 An. ten. alt. D. 36x42.15 LP 212-2041 | 3 |
| 14 | 90.3942.00 | OR D. 190.17x2.62 NBR SH. 70 3750 2041-2122-2213 | 1 | 32 | 70.2220.66 70.2235.66 70.2217.66 | Anello intermedio D. 28 Anello intermedio D. 30 Anello intermedio D. 36 | 3 |
| 15 | 98.2005.00 | Tappo per foro D. 15 | 5 | 33 | 90.2380.00 90.2771.00 90.2410.00 | An. ten. alt. D. 28x45x9 HP 2119-2122 An. ten. alt. D. 30x45x9 HP 2204-2213 An. ten. alt. D. 36x48x8 HP 212-2041 | 3 |
| 16 | 99.3123.00 | Vite serraggio biella | 6 | | | | |
| 17 | 70.0200.35 | Albero ecc. C.23 | 1 | | | | |

| POS | COD. | DESCRIZIONE – DESCRIPTION – KIT | NR |
|-----|------------------------------------------------------|--------------------------------------------------------------------------------------------------------|------|
| 34 | 70.1252.36 70.1254.36 70.1235.36 70.1236.36 | Testata pompa D. 28-30 Testata pompa D. 28-30 NPT Testata pompa D. 36 Testata pompa D. 36 NPT | 1 |
| 35 | 99.3818.00 | Vite M10x110 UNI 5931 | 8 |
| 36 | 99.3670.00 | Vite M10x25 UNI 5631 | 14 |
| 37 | 70.2215.36 | Coperchio valvole | 2 |
| 38 | 70.2216.66 | Tappo valvole aspiraz./mandata SS7061H SS7070H SS7091H | 6 |
| 39 | 90.5180.00 | Anello antiest. D. 32.4x36.5x1.5 2041-2122-2213 | 6 |
| 40 | 90.3865.00 | OR D. 29.82x2.62 NBR SH. 70 3118 2041-2122-2213 | 6 |
| 41 | 36.2047.05 | Guida valvola aspir./mand. | 2040 |
| 42 | 94.7450.00 | Molla Dm. 16.0x27.5 | 2040 |
| 43 | 36.2010.76 | Valvola sferica | 2040 |
| 44 | 36.2070.66 | Sede valvola | 2040 |
| 45 | 90.3865.00 | OR D. 29.82x2.62 NBR SH. 3118 2040-2041-2122-2213 | 6 |
| 46 | 90.5178.00 | Anello antiest. D. 31.0x35.5x1.5 2040-2041-2122-2213 | 6 |
| 47 | 36.7154.01 | Gr. valvola aspiraz./mandata | 2040 |
| 48 | 70.0305.11 | Biella completa | |
| 49 | 70.2225.51 | Tappo carter | |
| 50 | 71.2259.51 | Cappuccio tappo carter | |



SS7061H - SS7070H - SS7091H

KIT RICAMBI – SPARE KITS

| KIT NR. | KIT 2040 | KIT 2156 2157 - 2158 | PISTONE – PISTON D. 28 | | PISTONE – PISTON D. 30 | | PISTONE – PISTON D. 36 | |
|-----------------------------------------------|---------------------------------------|-------------------------|------------------------|--------------------------------------------------------------------------------|------------------------|----------|--------------------------------------------------------------------------------|----------|
| | | | KIT 2119 | KIT 2122 | KIT 2204 | KIT 2213 | KIT 212 | KIT 2041 |
| Posizioni includi Positions included | 41 - 42 43 - 44 45 - 46 (47) | 51 - 52 | 31 - 33 | 3 - 5 - 7 10 - 14 - 20 24 - 27 - 29 31 - 33 - 39 40 - 45 - 46 - 72 | 31 - 33 | 31 - 33 | 3 - 5 - 7 10 - 14 - 20 24 - 27 - 29 31 - 33 - 39 40 - 45 - 46 - 72 | 31 - 33 |
| Nr. Pcs. | 6 | 3 | 3 | 1 | 3 | 3 | 1 | 3 |

| PISTON D. 28 | | PISTON D. 30 | | PISTON D. 36 | |
|------------------------------------|----------------------------------------|-------------------------------------------------------------------------------------------------------------------------|----|--------------|----------------------|
| SS7061H | | SS7070H | | SS7091H | |
| POS | COD. | DESCRIZIONE – DESCRIPTION - KIT | NR | POS | NR |
| 51 | 90.9220.00 90.9221.00 90.9222.00 | Semiboc. testa biella – Sup. 2156 Semiboc. testa biella +0.25 – Sup. 2157 Semiboc. testa biella +0.50 – Sup. 2158 | 3 | 51 | 2156 2157 2158 |
| 52 | 90.9223.00 90.9224.00 90.9225.00 | Semiboc. testa biella – Inf. 2156 Semiboc. testa biella +0.25 – Inf. 2157 Semiboc. testa biella +0.50 – Inf. 2158 | 3 | 52 | 2156 2157 2158 |
| 53 | 90.9100.00 | Boccola piede biella | 3 | 53 | |
| 54 | 70.2222.66 | Distanziale per tenuta D. 28-30 SS7061H SS7070H | 3 | 54 | |
| 72 | 90.3833.00 90.3585.00 | OR D. 13.95x2.62 NBR SH. 70 3056 SS7091H 2041 OR D. 10.82x1.78 NBR SH. 70 2043 SS7061H SS7070H 2122-2213 | 3 | 72 | 2041 2122-2213 |
| 73 | 98.2046.00 98.2100.66 | Tappo G 1/4"x13 - SS7061H SS7070H Tappo G 3/8"x13 - SS7091H | 3 | 73 | |
| SISTEMA FLUSHING - FLUSHING SYSTEM | | | | | |
| 66 | - | Testata pompa – FLUSHING SYSTEM | 1 | 66 | |

| AZIONAMENTI SPECIALI – SPECIAL DRIVES | | | | | |
|-------------------------------------------------------------------------------------------------------------|------------|--------------------------------------|----|-----|----|
| AZIONAMENTO DIRETTO CON FLANGIA TIPO A DIRECT DRIVE WITH FLANGE TYPE A | | | | | |
| POS | COD. | DESCRIZIONE – DESCRIPTION - KIT | NR | POS | NR |
| 55 | 99.3084.00 | Vite M8x30 UNI 5931 | 6 | 55 | 6 |
| 56 | 10.0673.20 | Flangia per motore idraulico | 1 | 56 | 1 |
| AZIONAMENTO IDRAULICO CON CAMPANA E GIUNTO SAE-B HYDRAULIC DRIVE WITH FLANGE AND FLEXIBLE COUPLING SAE-B | | | | | |
| 71 | 98.2060.00 | Tappo per foro D. 15 | 4 | 71 | 4 |
| 57 | 99.3136.00 | Vite M8x45 UNI 5931 | 6 | 57 | 6 |
| 58 | 10.0755.47 | Elemento elastico | 1 | 58 | 1 |
| 59 | 10.7430.01 | Giunto elastico D. 30.0x25.4 | 1 | 59 | 1 |
| 60 | 10.0752.20 | Flangia per motore idraulico SAE-B | 1 | 60 | 1 |
| AZIONAMENTO CON PRESA DI FORZA AUSILIARE DRIVE WITH AUXILIARY PTO | | | | | |
| 9 | 99.1854.00 | Vite M6x16 UNI 5931 | 6 | 9 | 6 |
| 18 | 91.4900.00 | Linguetta 8x7x70 UNI 6604 | 1 | 18 | 1 |
| 19 | 70.1500.22 | Coperchio cuscinetto lato PTO | 1 | 19 | 1 |
| 20 | 90.1668.00 | Anello rad. D. 35.0x52.0x7.0 | 1 | 20 | 1 |
| 61 | 70.0205.35 | Albero ecc. C.23 | 1 | 61 | 1 |
| 62 | 97.6152.00 | Spina D. 5.0x10.0 | 1 | 62 | 1 |
| 63 | 70.2234.54 | Dispositivo presa di forza ausiliare | 1 | 63 | 1 |
| 64 | 96.7160.00 | Rosetta D. 12.0x18.0x1.0 | 1 | 64 | 1 |
| 65 | 99.4295.00 | Vite M12x35 UNI 5931 | 1 | 65 | 1 |