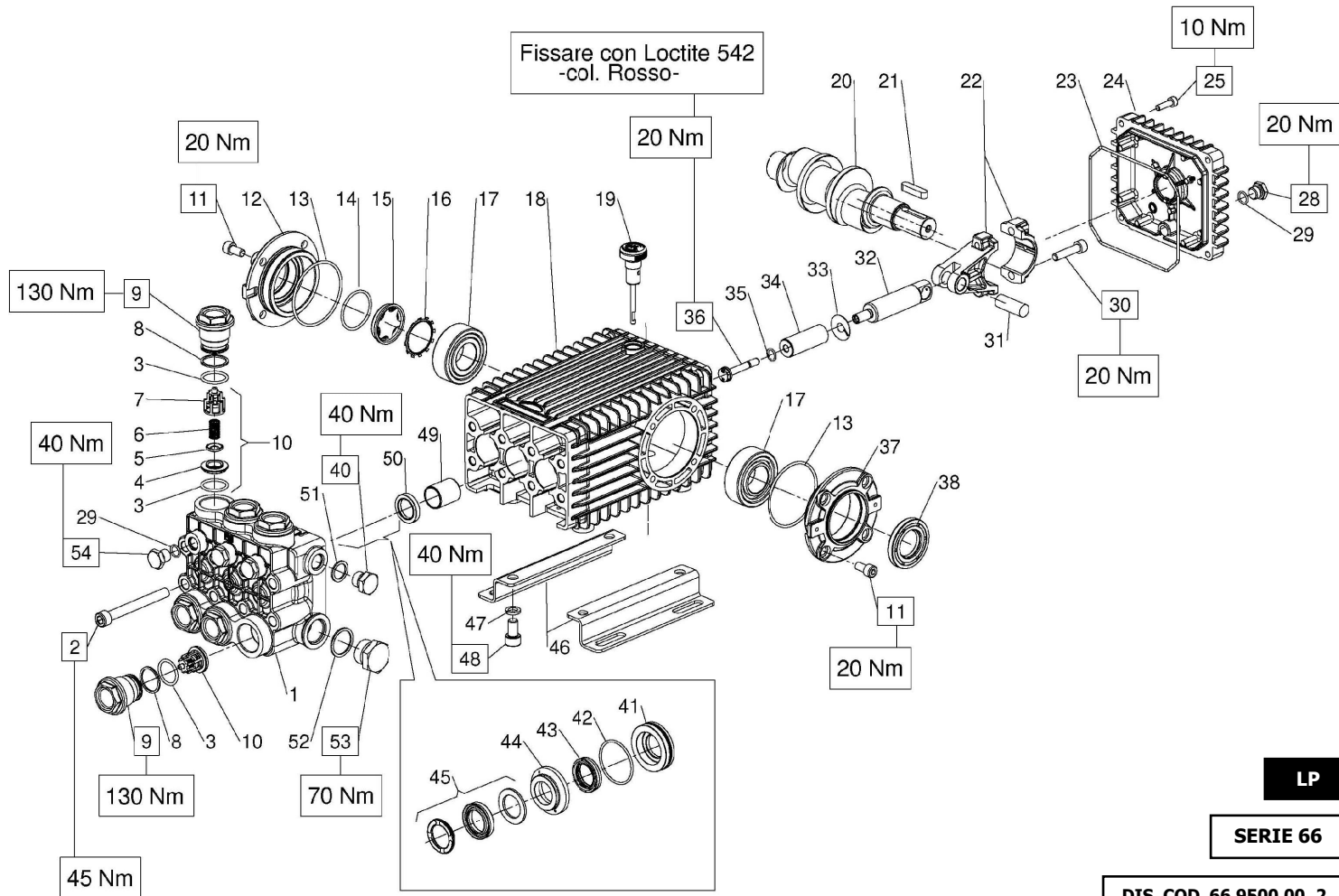


Fissare con Loctite 542  
-col. Rosso-



LP

SERIE 66

DIS. COD. 66.9500.00\_2

<b>W3021 W2525 W3025 W2030 W2035 W2141 T3025 T2530 T2830 T2535 T2040 T1750 W3018 T3021</b>
--

**KIT RICAMBI - SPARE KITS**

KIT Nr.	PISTONE - PISTON D. 18			PISTONE - PISTON D. 20		PISTONE - PISTON D. 22		PISTONE - PISTON D. 24			
	KIT 2	KIT 3	KIT 169	KIT 180	KIT 176	KIT 170	KIT 171	KIT 172	KIT 173	KIT 181	KIT 182
Posizioni include Positions included	50	38	3 - 4 5 - 6 7 (10)	43 - 45	41 - 42 43 - 44 45	43 - 45	41 - 42 43 - 44 45	43 - 45	41 - 42 43 - 44 45	43 - 45	41 - 42 43 - 44 45
Nr. Pcs.	3	2	6	3	1	3	1	3	1	3	1

PISTONE - PISTON D. 18	PISTONE - PISTON D. 20
W3021 T3025 W3018 T3021	W2525 W3025 T2530 T2535 T2830
PISTONE - PISTON D. 22	PISTONE - PISTON D. 24
W2030 W2035 T2040	W2141 T1750

POS	COD.	DESCRIZIONE - DESCRIPTION - KIT	NR
1	66.1245.41 66.1200.41 66.1201.41 66.1202.41	Testata pompa D. 18 Testata pompa D. 20 Testata pompa D. 22 Testata pompa D. 24	1
2	99.3801.00	Vite M10x90 UNI 5931	8
3	90.3857.00	OR D. 23.81x2.62 NBR 70SH 132	169 12
4	36.2033.66	Sede valvola sferica	169 6
5	36.2034.76	Valvola sferica	169 6
6	94.7388.00	Molla Dm. 10.0x18.5	169 6
7	36.2035.51	Guida valvola	169 6
8	90.5165.00	Anello antiest. D. 24.7x29.0x1.5	6
9	66.1300.41	Tappo M32x1.5x29.5	6
10	36.7127.01	Gr. valvola aspiraz./mandata	169 6
11	99.3039.00	Vite M8x16 UNI 5931	8
12	47.1512.22	Coperchio laterale lato spia	1
13	90.3913.00	OR D. 67.95x2.62 NBR 70SH 3268	2
14	90.3877.00	OR D. 39.34x2.62 NBR 70SH 3156	1
15	70.2118.01	Spia livello olio	1
16	90.0756.00	Anello d'arresto Z145	1
17	91.8380.00	Cuscinetto a rulli	2
18	66.0100.22	Carter pompa	1
19	98.2106.00	Tappo con asta G 3/8"x64	1

POS	COD.	DESCRIZIONE - DESCRIPTION - KIT	NR
20	66.0200.35 66.0204.35 66.0211.35	Albero ecc. C.19 - W2525 W2030 W3021 W3025 T2530 T3025 T2830 Albero ecc. C.21 - W2035 W2141 T2535 T2040 T1750 Albero ecc. C.16 - W3018 T3021	1
21	91.4892.00	Linguetta 9.0x7.0x35.0	1
22	66.0300.01	Biella completa	3
23	90.3922.00	OR D. 133.02x2.62 NBR 70SH 3525	1
24	66.1600.22	Coperchio posteriore	1
25	99.1884.00	Vite M6x20 UNI 5931	4
28	98.2042.50	Tappo G 1/4"x9 TE17 - ZInc.	1
29	90.3585.00	OR D. 10.82x1.78 NBR 70SH 2043	4
30	99.3099.00	Vite serraggio biella	6
31	97.7405.00	Spinotto D. 14x39	3
32	66.0500.66	Guida pistone	3
33	96.7101.00	Rosetta D. 10.0x28.0x0.5	3
34	66.0403.09 66.0400.09 66.0401.09 66.0404.09	Pistone D. 18x54 Pistone D. 20x54 Pistone D. 22x54 Pistone D. 24x54	3
35	90.3584.00	OR D. 10.82x1.78 NBR 90SH 2043	3
36	66.2195.66	Vite fissaggio pistone	3
37	47.1510.22	Coperchio laterale lato PTO	1
38	90.1648.00	Anello rad. D. 30.0x55.0x7.0	3 1
40	98.2100.00	Tappo G 3/8"x13	1
41	66.0803.70 66.0800.70 66.0801.70 66.0804.70	Anello di fondo D. 18 Anello di fondo D. 20 Anello di fondo D. 22 Anello di fondo D. 24	176 171 173 182 3
42	90.3616.00	OR D. 34.65x1.78 NBR 70SH 2137 171 173 176 182	3

POS	COD.	DESCRIZIONE - DESCRIPTION - KIT	NR
43	90.2652.00 90.2690.00 90.2715.00 90.2738.00	Anello tenuta D. 18x26x6.5 LP Anello tenuta D. 20x28x6.5 LP Anello tenuta D. 22x30x6.5 LP Anello tenuta D. 24x32x6.5 LP	180 176 170 171 172 173 181 182 3
44	66.2163.70 66.2160.70 66.2161.70 66.2164.70	Anello intermedio D. 18 Anello intermedio D. 20 Anello intermedio D. 22 Anello intermedio D. 24	176 171 173 182 3
45	90.2655.00 90.2692.00 90.2717.00 90.2741.00	Anello tenuta D. 18x28x10 HP Anello tenuta D. 20x30x10 HP Anello tenuta D. 22x32x10 HP Anello tenuta D. 24x34x10 HP	180 176 170 171 172 173 181 182 3
46	47.2000.74	Piede pompa	2
47	96.7106.00	Rosetta D. 10.2x16.0x2.5	4
48	99.3644.00	Vite M10x18 UNI 5931	4
49	90.9126.00	Boccola D. 22x25x30	3
50	90.1625.00	Anello rad. D. 22.0x32.0x5.5	2 3
51	96.7380.00	Rosetta D. 17.5x23.0x1.5	1
52	96.7700.00	Rosetta D. 26.5x32.0x1.5	1
53	98.2268.00	Tappo G 3/4"x16	1
54	98.2043.00	Tappo G 1/4"x13	3