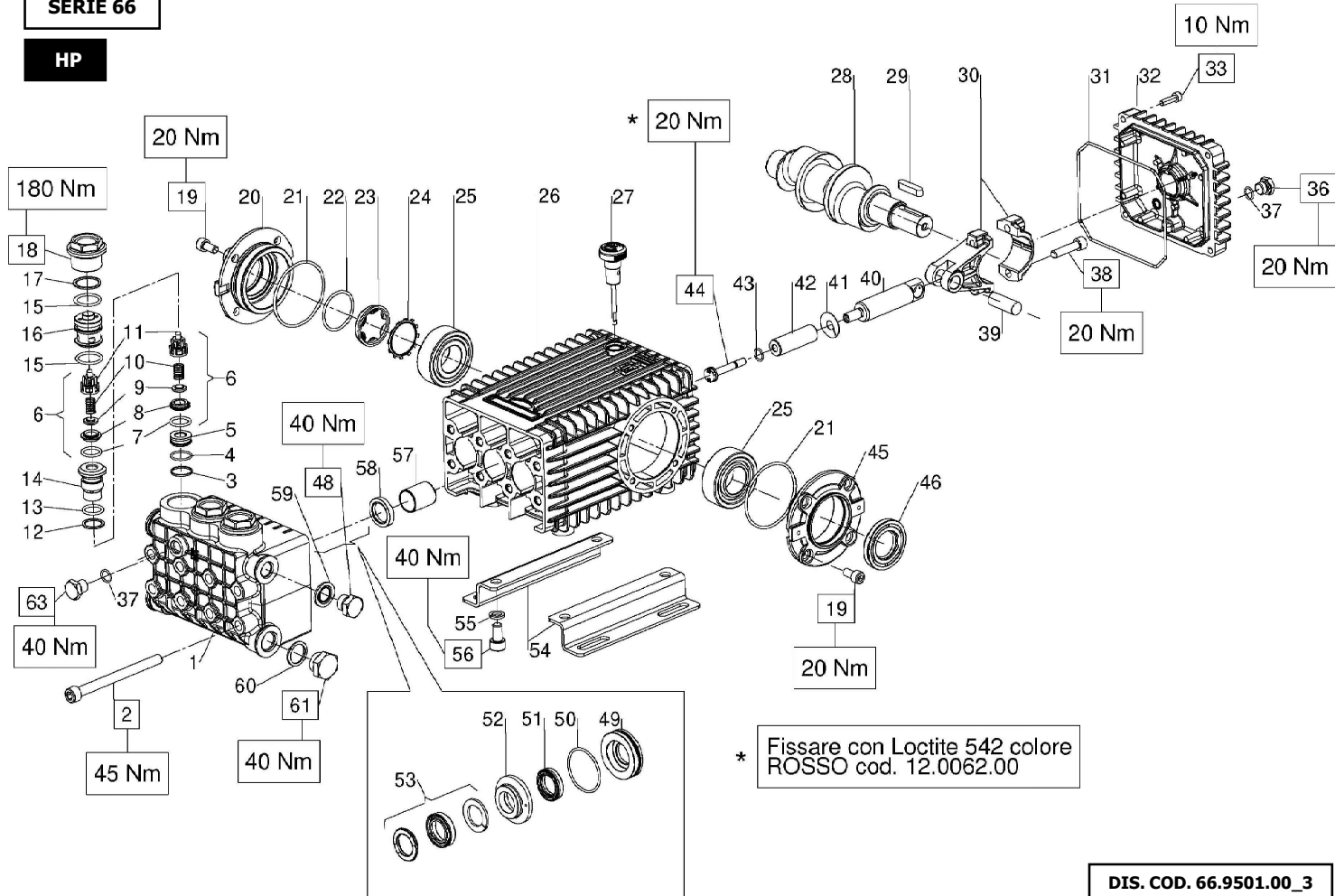


SERIE 66

HP



DIS. COD. 66.9501.00_3

W5015 W4518 W4015 W4018 W3521 W3523 W4021 T4018 W5018 T5018 T5015
--

KIT RICAMBI - SPARE KITS

KIT Nr.	KIT 0002	KIT 0003	KIT 0150	PISTONE - PISTON D. 16		PISTONE - PISTON D. 18	
				KIT 0174	KIT 0175	KIT 0180	KIT 0176
Posizioni include Positions included	58	46	7 - 8 - 9 - 10 11 (6)	51 - 53	49 - 50 - 51 - 52 53	51 - 53	49 - 50 - 51 - 52 53
Nr. Pcs.	3	2	6	3	1	3	1

	PISTONE - PISTON - D. 16	PISTONE - PISTON - D. 18
OTTONE BRASS	W5015 W4518 W4015 W4018 T4018 T5015	W3521 W3523
NICKEL	W5018 T5018	W4021

POS	COD.	DESCRIZIONE - DESCRIPTION - KIT	NR
1	66.1210.41	Testata pompa D. 16	1
	66.1211.41	Testata pompa D. 18	
	66.1253.41	Testata pompa D. 18 NK.	
	66.1240.41	Testata pompa D. 16 - W5015 W4518	
	66.1247.41	Testata pompa D. 16 NK.	
2	99.3820.00	Vite M10x120 UNI 5931	8
3	90.5118.00	Anello antiest. D. 19.5x22.0x1.5	3
4	90.3596.00	OR D. 18.77x1.78 NBR 70SH 2075	3
5	66.2102.70	Distanziale	3
6	36.7121.01	Gr. valvola aspiraz./mandata 150	6
7	90.3841.00	OR D. 17.13x2.62 NBR 70SH 3068 150	6
8	36.2003.66	Sede valvola 150	6
9	36.2032.66	Valvola sferica 150	6
10	94.7376.00	Molla Dm. 9.4x14.8 150	6
11	36.2025.51	Guida valvola 150	6
12	90.5115.00	Anello antiest. D. 18.7x23.0x1.5	3
13	90.3843.00	OR D. 17.86x2.62 NBR 70SH 123	3
14	66.2101.66	Bussola	3
15	90.3857.00	OR D. 23.81x2.62 NBR 70SH 132	6
16	66.2100.70	Tappo D. 29	3
17	90.5165.00	Anello antiest. D. 24.7x29.0x1.5	3
18	66.1301.41	Tappo valvole M32x1.5x18.5	3
	66.1310.41	Tappo valvole M32x1.5x18.5 NK.	
19	99.3039.00	Vite M8x16 UNI 5931	8
20	47.1512.22	Coperchio laterale lato spia	1
21	90.3913.00	OR D. 67.95x2.62 NBR 70SH 3268	2

POS	COD.	DESCRIZIONE - DESCRIPTION - KIT	NR
22	90.3877.00	OR D. 39.34x2.62 NBR 70SH 3156	1
23	70.2118.01	Spia livello olio	1
24	90.0756.00	Anello d'arresto Z145	1
25	91.8380.00	Cuscinetto a rulli	2
26	66.0100.22	Carter pompa	1
27	98.2106.00	Tappo con asta G 3/8"x64	1
28	66.0200.35	Albero ecc. C.19.0 - W5015 W4015 W3521 T4018 T5018 W4021	1
	66.0204.35	Albero ecc. C.21.0 - W4518 W4018 W3523 W5018	
	66.0211.35	Albero ecc. C.16.0 - T5015	
29	91.4892.00	Linguetta 9.0x7.0x35.0	1
30	66.0300.01	Biella completa	3
31	90.3922.00	OR D.133.02x2.62 NBR 70SH 3525	1
32	66.1600.22	Coperchio posteriore	1
33	99.1884.00	Vite M6x20 UNI 5931	4
36	98.2042.50	Tappo G 1/4"x9 TE17 - Zinc.	1
37	90.3585.00	OR D. 10.82x1.78 NBR 70SH 2043	2
38	99.3099.00	Vite serraggio biella	6
39	97.7405.00	Spinotto D. 14x39	3
40	66.0500.66	Guida pistone	3
41	96.7101.00	Rosetta D. 10.0x28.0x0.5	3
42	66.0402.09	Pistone D. 16x54	3
	66.0403.09	Pistone D. 18x54	
43	90.3584.00	OR D. 10.82x1.78 NBR 90SH 2043	3
44	66.2195.66	Vite fissaggio pistone	3
45	47.1510.22	Coperchio laterale lato PTO	1
46	90.1648.00	Anello rad. D. 30.0x56.0x7.0	3 1
48	98.2100.00	Tappo G 3/8"x13	1

POS	COD.	DESCRIZIONE - DESCRIPTION - KIT	NR
49	66.0802.70	Anello di fondo D. 16	175
	66.0803.70	Anello di fondo D. 18	176
50	90.3616.00	OR D. 34.65x1.78 NBR 70SH 2137	175 176
			3
51	90.2631.00	Anello tenuta D. 16x24x6.5 LP	174 175
	90.2652.00	Anello tenuta D. 18x26x6.5 LP	180 176
52	66.2162.70	Anello intermedio D. 16	175
	66.2163.70	Anello intermedio D. 18	176
53	90.2634.00	Anello tenuta D. 16x26x9.5 HP	174 175
	90.2655.00	Anello tenuta D. 18x28x10 HP	180 176
54	47.2000.74	Piede pompa	2
55	96.7106.00	Rosetta D. 10.2x16.0x2.5	4
56	99.3644.00	Vite M10x18 UNI 5931	4
57	90.9126.00	Boccola D. 22x25x30	3
58	90.1625.00	Anello rad. D. 22.0x32.0x5.5	2 3
59	93.1858.00	Rondella di tenuta G 3/8"	1
60	96.7514.00	Rosetta D. 21.5x27.0x1.5	1
61	98.2176.00	Tappo G 1/2"x10	1
63	98.2043.00	Tappo G 1/4"x13	1