



EQUIPAGGIAMENTI
TECNICI
LAVAGGIO

30.3250.00
RP 80-500 Rubinetto Pneumatico
RP 80-500 Air Compressed on-off Gun



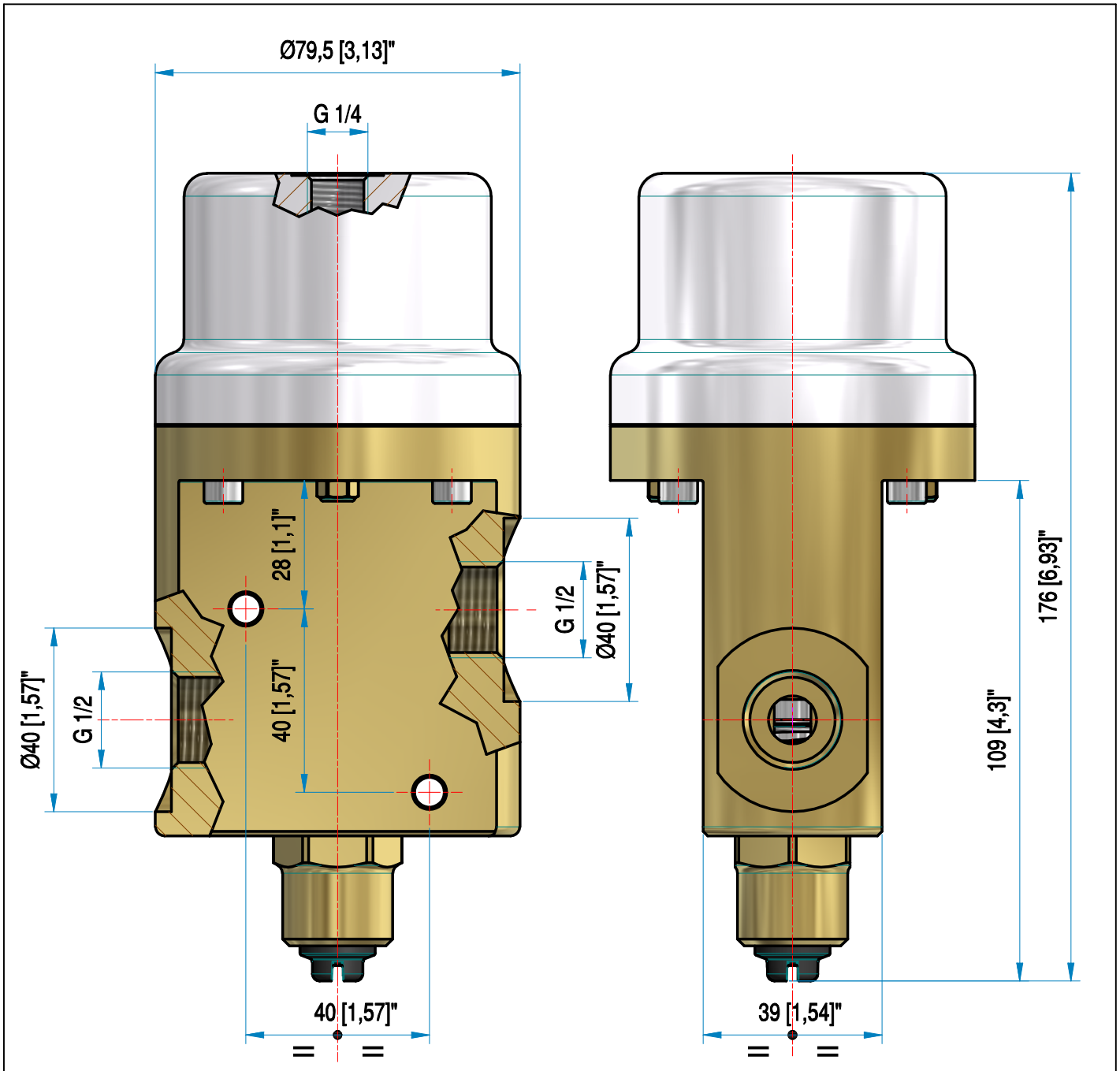
2

25/06/12

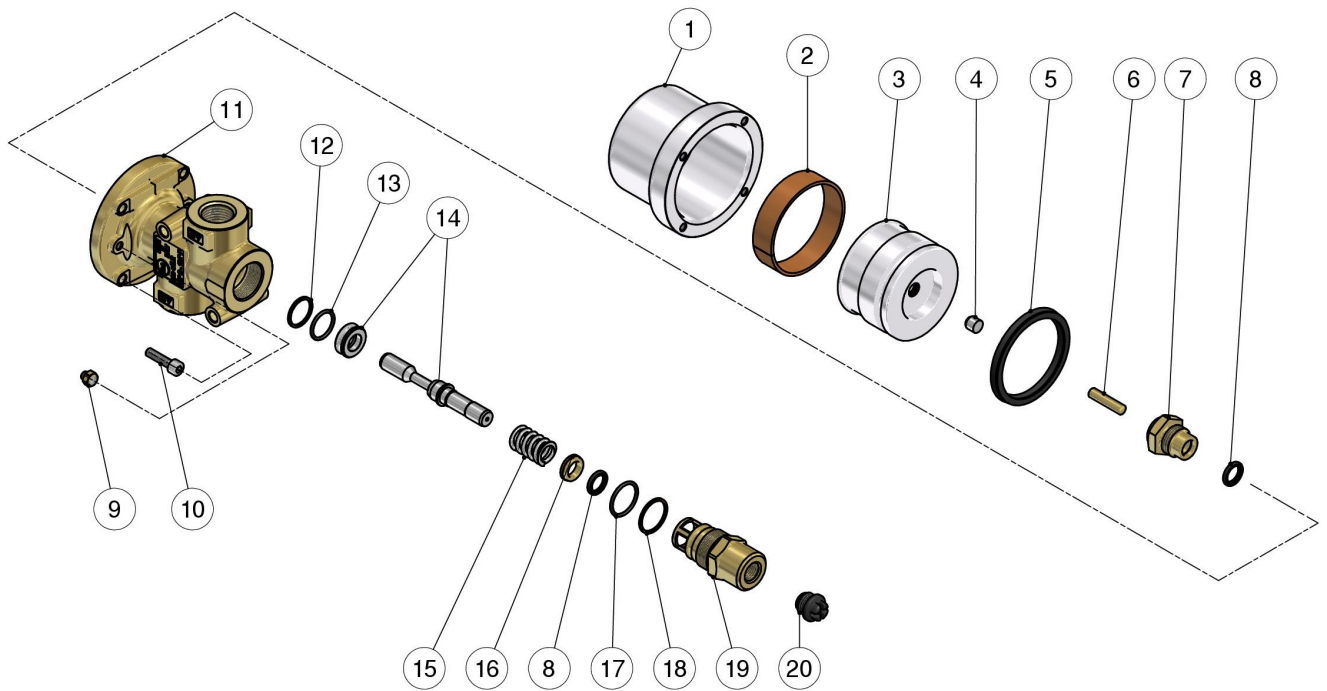
CARATTERISTICHE TECNICHE - SPECIFICATIONS

- PRESSIONE NOMINALE RATED PRESSURE	500 bar - 50 MPa (7250 psi)
- PRESSIONE CONSENTITA PERMISSIBLE PRESSURE	550 bar - 55 MPa (8000 psi)
- PORTATA MASSIMA MAX FLOW RATE	80 l/min (21 USG p.m.)
- TEMPERATURA MASSIMA MAX WORKING TEMPERATURE	90° C (195° F)
- MASSA WEIGHT	2660 g (93,8 oz.)

MISURE D'INGOMBRO - OVERALL DIMENSIONS



30.3250.00 RP80/500 1/2FF Bsp air compr.on-off gun



Pos.	P/N	Description	Q.ty	K1	K2	K3	K4		Pos.	P/N	Description	Q.ty	K1	K2	K3	K4	
1	30.3206.41R	Jacket, Al -RP120	1					3	11	30.3251.35R	Brass hous.-RP80/500-1/2\"Bsp FF	1					1
2	30.3204.85R	Bushing, opn. 181x14,8mm PTFE	1					5	12	10.4042.00R	Back-up ring, 16,3x19x1,2 mm	1	•				10
3	30.3207.41R	Piston, RP120	1					2	13	10.3066.01R	O-ring, 1,78x15,6 mm Ni 85	1	•				10
4	30.0675.51R	Stop pin, 8x7,1mm Sst.	1					10	14	30.3254.24R	Piston + seat -RP 80/500	1	•				3
5	10.2060.50R	Piston seal, 60x50x5 mm	1					3	15	30.4042.51R	Spring, 2,4x15,3x30 mm Sst.	1	•				10
6	30.4041.51R	Parallel sst.pin, 6x25,8 mm	1					5	16	30.4040.31R	Spacer ring, 10,1x15,8x3,8 mm brass	1					3
7	30.4038.31R	Front plug, M18x1,5 brass	1					10	17	10.3070.02R	O-ring, 1,78x18,77 mm Ni 85	1	•				10
8	10.2027.00R	Stem seal, 10x15x2,2 mm +O-ring	2	•				4	18	10.4041.00R	Back-up ring, 19,3x22x1,2 mm PTFE	1	•				10
9	13.0805.00R	Screw M5 brass	2					3	19	30.5408.31R	Spring holder	1					5
10	16.1873.00R	Screw, DIN912 M5x20 mm Sst.	4					10	20	30.5815.84R	Plug, 1/4M Bsp DIN259 Plast. black	1					10
Kit	P/N	Description															
K1	30.3256.24	Spares kit -RP 80/500, 8x1pcs.						1									