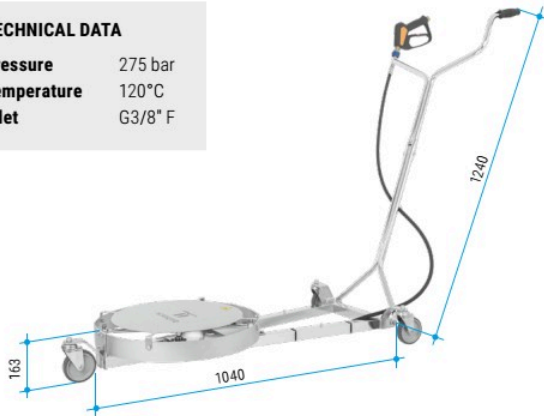


- ✓ Ergonomical and versatile
- ✓ Easy to maneuver
- ✓ Ready to use
- ✓ Complete stainless steel

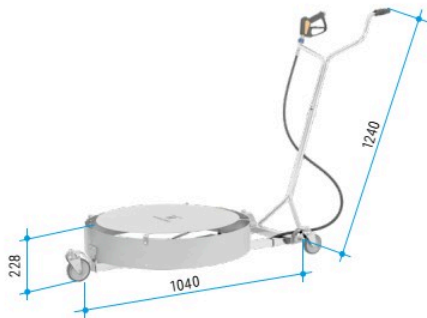


### TECHNICAL DATA

**Pressure** 275 bar  
**Temperature** 120°C  
**Inlet** G3/8" F



**HUR-520 80.601**



**HUR-750 80.604**

### FEATURES

#### Stabilizer Nozzles

With the stabilizer nozzle, you can increase the distance and pressure impact to your surface. Standard on 80.603 and 80.604.



#### HP-Nozzles

Standard HP, 15° nozzles are used to achieve the cleaning on the object. These nozzles are used on the models 80.601 and 80.602.



#### Rotor Arms

Can withstand up to 275 bar, are precision welded and balanced.



Part No. 82.891 ø470

Part No. 82.9014 ø700

#### Quality Swivel

High rpm stainless steel swivel features reinforced self lubricated stainless steel ball bearings for improved performance. The dual spring based carbide seal system, guarantees long lasting operation under tough conditions.



Part No. 58.553

### Hurricane

Name	Part No.	ø	min. Clearance	Weight	HP-Nozzles	HP-Gun	Caster/Wheels
HUR-520	80.601	520	165 mm	15.0 kg	2x 18.1503	1x	3x ø100
HUR-750	80.602	750	165 mm	19.0 kg	3x 18.1503	1x	3x ø100
HUR-520	80.603	520	230 mm	17.5 kg	2x 18.030EG	1x	3x ø100
HUR-750	80.604	750	230 mm	20.6 kg	3x 18.030EG	1x	3x ø100

Other nozzles sizes please order separately.



#### Accessories

Name	Part No.	Nozzles	HP-Gun	Upper Fork	LP-Hose	Weight
Low pressure package	80.9011	---*	1x	1x	1x	3.8 kg

\* Nozzles not included, please order separately.

**Important: Do not use unprotected!**