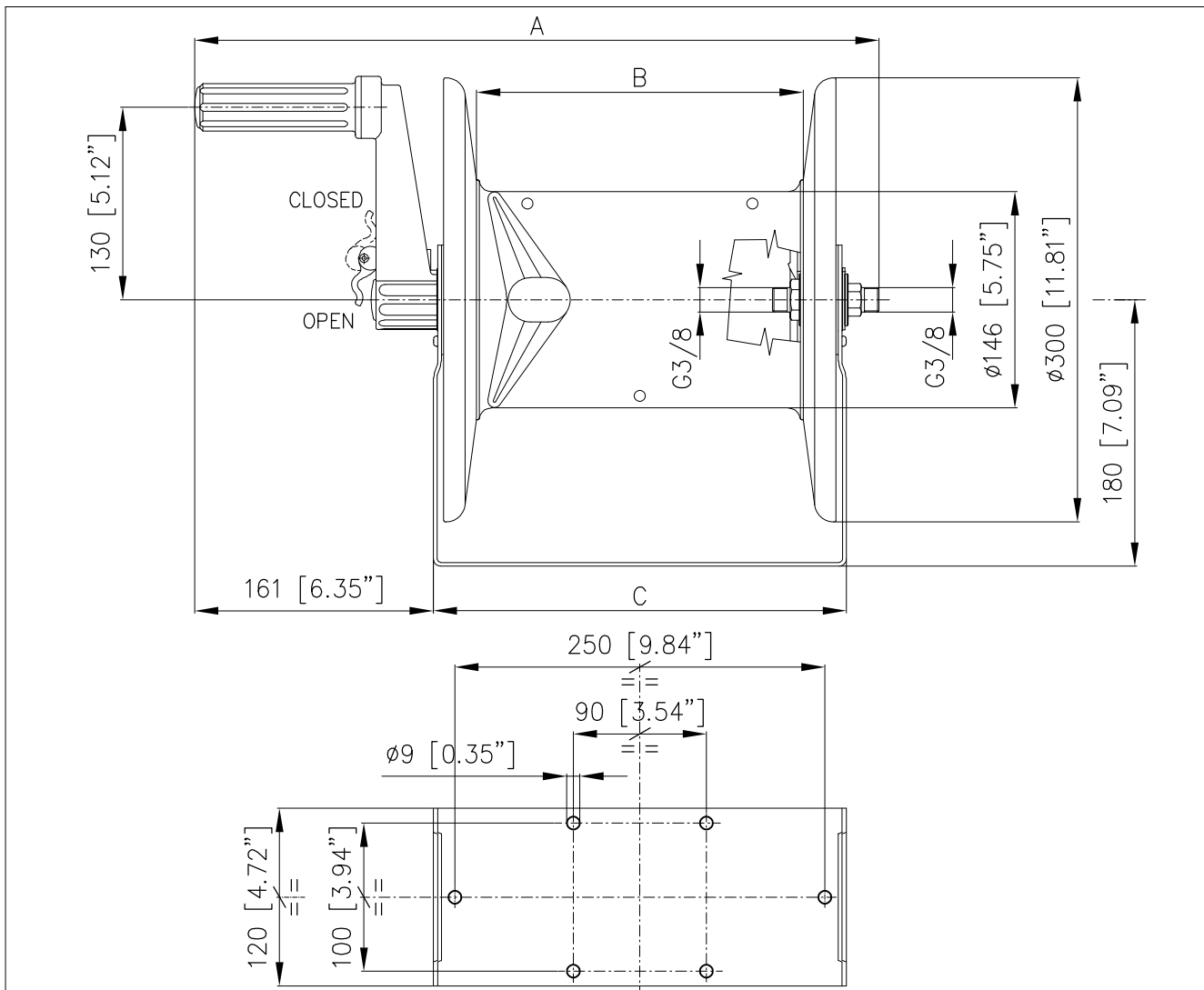


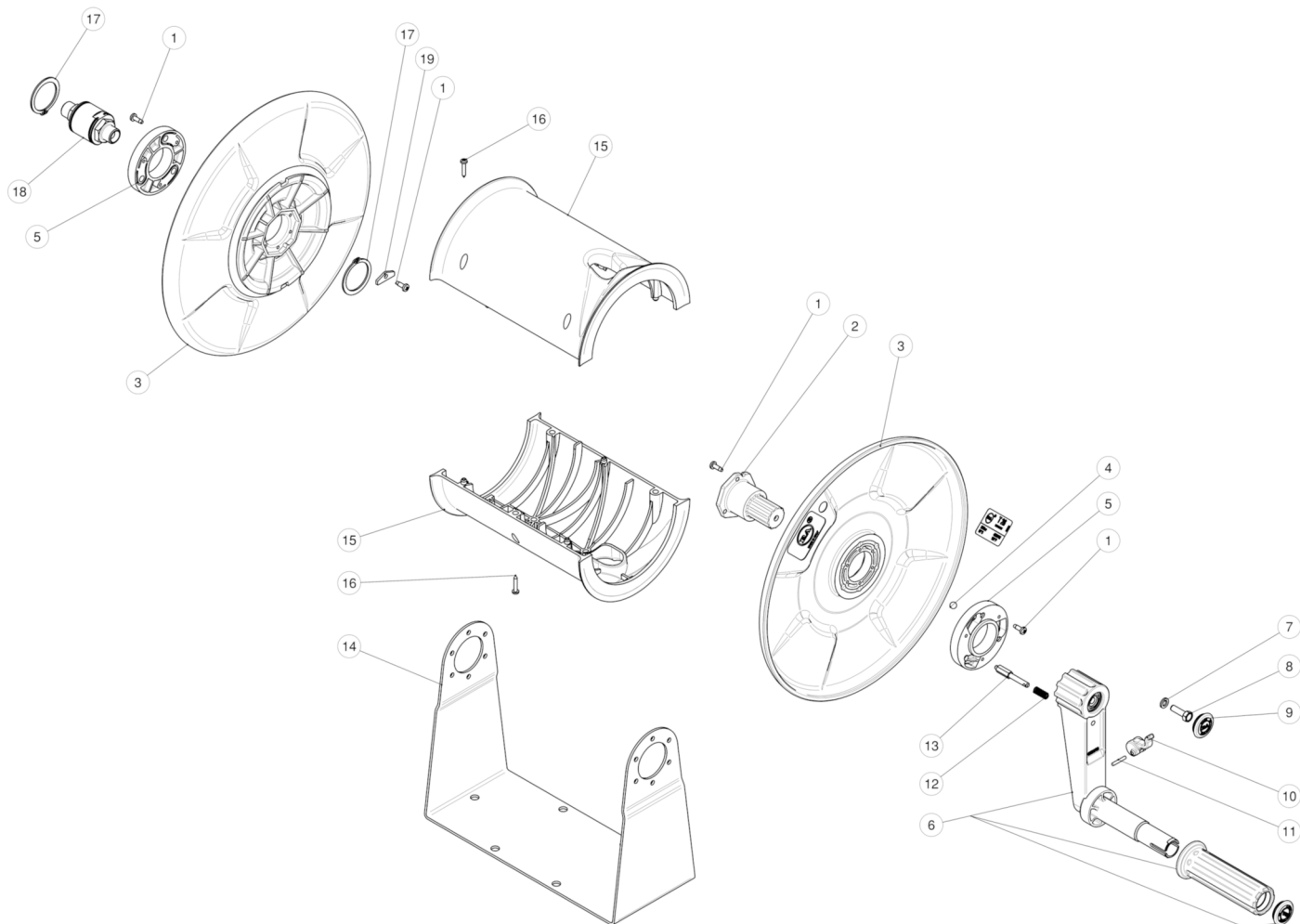
CARATTERISTICHE TECNICHE
SPECIFICATIONS

| | |
|--|--|
| - PRESSIONE NOMINALE RATED PRESSURE | 250 bar – 25 MPa (3650 psi) |
| - PRESSIONE CONSENTITA PERMISSIBLE PRESSURE | 280 bar – 28 MPa (4050 psi) |
| - TEMPERATURA MASSIMA MAX WORKING TEMPERATURE | 90° C (195° F) |
| - MATERIALE MATERIAL | MATERIALE PLASTICO AD ALTA RESISTENZA ANTIURTO CON GIUNTO GIREVOLE IN OTTONE PER T26-T46 (ACCIAIO INOX PER T27-T47) E SUPPORTO IN ACCIAIO VERNICIATO T26-T46 (ACCIAIO INOX PER T27-T47). STRONG SHOCKPROOF PLASTIC WITH BRASS SWIVEL FOR T26-T46 (STAINLESS STEEL FOR T27-T47) AND PAINTED STEEL SUPPORT T26-T46 (STAINLESS STEEL FOR T27-T47). |

MISURE D'INGOMBRO
OVERALL DIMENSIONS



| CODICE CODE | MODELLO TYPE | LUNGHEZZA TUBO HOSE LENGTH | ATTACCO CONNECTION | A | B | C |
|----------------|-----------------|----------------------------------|-----------------------|--------------|--------------|--------------|
| 29.0720.00 | T26 | 20m (21.9 yd) ϕ 20mm (3/8") | G 3/8 M.M. | 462 (18.43") | 220 (8.66") | 279 (10.98") |
| 29.0740.00 | T46 | 40m (43.7 yd) ϕ 20mm (3/8") | G 3/8 M.M. | 548 (21.57") | 306 (12.05") | 365 (14.37") |
| 29.0727.00 | T27 INOX | 20m (21.9 yd) ϕ 20mm (3/8") | G 3/8 M.M. | 489 (19.25") | 220 (8.66") | 279 (10.98") |
| 29.0747.00 | T47 INOX | 40m (43.7 yd) ϕ 20mm (3/8") | G 3/8 M.M. | 575 (22.64") | 306 (12.05") | 365 (14.37") |

29.0720.00 T26 Avv/tubo plast.G3/8MM 20m+giunto ott
29.0740.00 T46 Avv/tubo plast.G3/8MM 40m+giunto ott


| Pos. | Codice | Descrizione | Q.tà | K1 | K2 | K3 | K4 | |
|------|-------------|------------------------------------|------|----|----|----|----|----|
| 1 | 16.3092.12R | Vite autofil. DIN7981 4x12 mm | 10 | | | | | 10 |
| 2 | 29.0713.84R | Perno trasmissione PA nero | 1 | | | | | 10 |
| 3 | 29.0712.84R | Disco laterale nero | 2 | | | | | 2 |
| 4 | 14.7427.00R | Sfera 7 mm inox | 3 | | | | | 10 |
| 5 | 29.0714.84R | Piattello POM nero | 2 | | | | | 5 |
| 6 | 29.0723.21R | Manovella nera | 1 | • | | | | 2 |
| 7 | 14.3569.05R | Rosetta 6,4x11x1mm inox | 1 | | | | | 10 |
| 8 | 16.3096.25R | Vite autofil. DIN7976 6x25 mm inox | 1 | | | | | 10 |
| 9 | 41.0411.84R | Tappo manopola PP nero | 1 | | | | | 10 |
| 10 | 29.0716.84R | Leva PA rossa | 1 | • | | | | 5 |
| 11 | 15.1035.00R | Spina cil. 3x19 mm inox | 1 | • | | | | 10 |

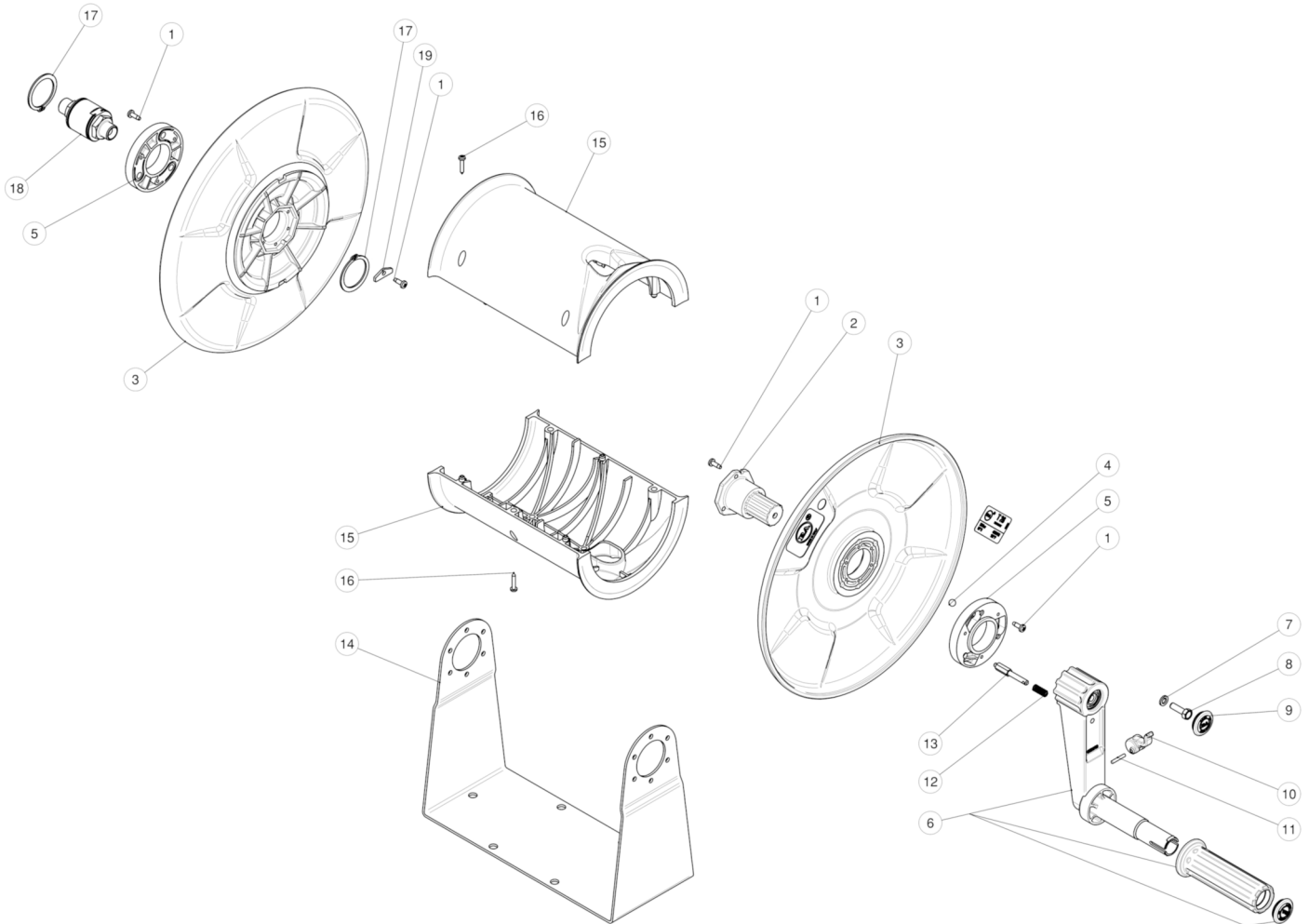
| Kit | Codice | Descrizione | Q.tà |
|-----|-------------|----------------------------------|------|
| K1 | 29.9210.98R | Stgr.manovella avvolg.serie T *6 | 2 |

(1) 29.0720.00 (2) 29.0740.00

| Pos. | Codice | Descrizione | Q.tà | K1 | K2 | K3 | K4 | |
|------|-------------|---------------------------------|------|----|----|----|----|----|
| 12 | 29.0722.51R | Molla 0,7x6,9x24 mm inox | 1 | • | | | | 10 |
| 13 | 29.0717.31R | Perno sicura ott. | 1 | • | | | | 5 |
| 14 | 29.0721.63R | Supporto T26 vernic. nero (1) | 1 | | | | | 1 |
| 14 | 29.0741.63R | Supporto T46 vernic. nero (2) | 1 | | | | | 1 |
| 15 | 29.0725.84R | Semiguscio T26 PA nero (1) | 2 | | | | | 2 |
| 15 | 29.0745.84R | Semiguscio T46 PA nero (2) | 2 | | | | | 2 |
| 16 | 16.3077.51R | Vite autofil.3,5x20 mm inox | 6 | | | | | 10 |
| 16 | 16.3077.51R | Vite autofil.3,5x20 mm inox (2) | 8 | | | | | 10 |
| 17 | 10.1035.00R | An. elast. E 35 | 2 | | | | | 10 |
| 18 | 26.1100.00R | Sw avv/tubo ott. compl. | 1 | | | | | 1 |
| 19 | 29.0724.53R | Piastrino inox x avv/tubo | 1 | | | | | 5 |

29.0720.00 T26 H.reel,plast.3/8MM Bsp 20m+brass sw.

29.0740.00 T46 H.reel,plast.3/8MM Bsp 40m+brass sw.



| Pos. | P/N | Description | Q.ty | K1 | K2 | K3 | K4 | |
|------|-------------|---------------------------------------|------|----|----|----|----|----|
| 1 | 16.3092.12R | S/tapping screw, DIN7981 4x12 mm | 10 | | | | | 10 |
| 2 | 29.0713.84R | Transmission pin, PA black | 1 | | | | | 10 |
| 3 | 29.0712.84R | Side disc, black | 2 | | | | | 2 |
| 4 | 14.7427.00R | Ball, 7 mm Sst. | 3 | | | | | 10 |
| 5 | 29.0714.84R | Washer, POM black | 2 | | | | | 5 |
| 6 | 29.0723.21R | Crank, black | 1 | • | | | | 2 |
| 7 | 14.3569.05R | Washer, 6,4x11x1 mm Sst. | 1 | | | | | 10 |
| 8 | 16.3096.25R | S/tapping screw, DIN7976 6x25 mm Sst. | 1 | | | | | 10 |
| 9 | 41.0411.84R | Plug, Knob PP black | 1 | | | | | 10 |
| 10 | 29.0716.84R | Lever, PA red | 1 | • | | | | 5 |
| 11 | 15.1035.00R | Parallel pin, 3x19 mm Sst. | 1 | • | | | | 10 |

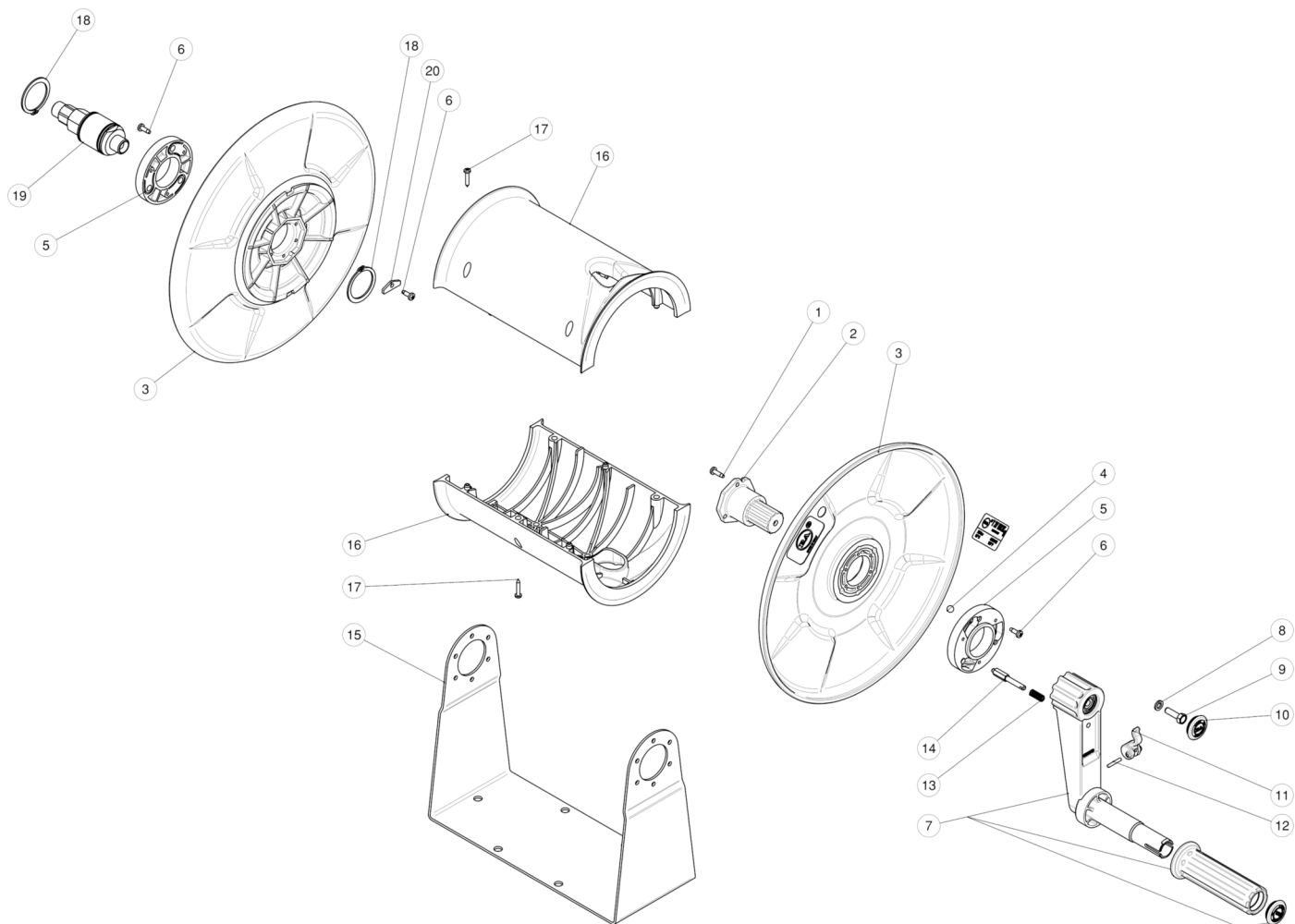
| Pos. | P/N | Description | Q.ty | K1 | K2 | K3 | K4 | |
|------|-------------|-------------------------------------|------|----|----|----|----|----|
| 12 | 29.0722.51R | Spring, 0,7x6,9x24 mm Sst. | 1 | • | | | | 10 |
| 13 | 29.0717.31R | Safety stud, brass | 1 | • | | | | 5 |
| 14 | 29.0721.63R | Support -T26, painted black (1) | 1 | | | | | 1 |
| 14 | 29.0741.63R | Support -T46, painted black (2) | 1 | | | | | 1 |
| 15 | 29.0725.84R | Semi-shell -T26, PA black (1) | 2 | | | | | 2 |
| 15 | 29.0745.84R | Semi-shell -T46, PA black (2) | 2 | | | | | 2 |
| 16 | 16.3077.51R | S/tapping screw, 3,5x20 mm Sst. | 6 | | | | | 10 |
| 16 | 16.3077.51R | S/tapping screw, 3,5x20 mm Sst. (2) | 8 | | | | | 10 |
| 17 | 10.1035.00R | Snap ring, E 35 | 2 | | | | | 10 |
| 18 | 26.1100.00R | Sw -hose reel, brass -compl. | 1 | | | | | 1 |
| 19 | 29.0724.53R | Sst. plate | 1 | | | | | 5 |

| Kit | P/N | Description | |
|-----|-------------|------------------|---|
| K1 | 29.9210.98R | Kit crank, black | 2 |

(1) 29.0720.00 (2) 29.0740.00

29.0727.00 T27 Avv/tubo plast.G3/8MM 20m+giun.inox

29.0747.00 T47 Avv/tubo plast.G3/8MM 40m+giun.inox



| Pos. | Codice | Descrizione | Q.tà | K1 | K2 | K3 | K4 | |
|------|-------------|------------------------------------|------|----|----|----|----|----|
| 1 | 16.3092.94R | Vite autofil. DIN7981 4x14 mm inox | 3 | | | | | 10 |
| 2 | 29.0713.84R | Perno trasmissione PA nero | 1 | | | | | 10 |
| 3 | 29.0712.84R | Disco laterale nero | 2 | | | | | 2 |
| 4 | 14.7427.00R | Sfera 7 mm inox | 3 | | | | | 10 |
| 5 | 29.0714.84R | Piattello POM nero | 2 | | | | | 5 |
| 6 | 16.3092.92R | Vite autofil. DIN7981 4x12 mm inox | 4 | | | | | 10 |
| 7 | 29.0723.21R | Manovella nera | 1 | • | | | | 2 |
| 8 | 14.3569.05R | Rosetta 6,4x11x1mm inox | 1 | | | | | 10 |
| 9 | 16.3096.25R | Vite autofil. DIN7976 6x25 mm inox | 1 | | | | | 10 |
| 10 | 41.0411.84R | Tappo manopola PP nero | 1 | | | | | 10 |
| 11 | 29.0716.84R | Leva PA rossa | 1 | • | | | | 5 |
| 12 | 15.1035.00R | Spina cil. 3x19 mm inox | 1 | • | | | | 10 |

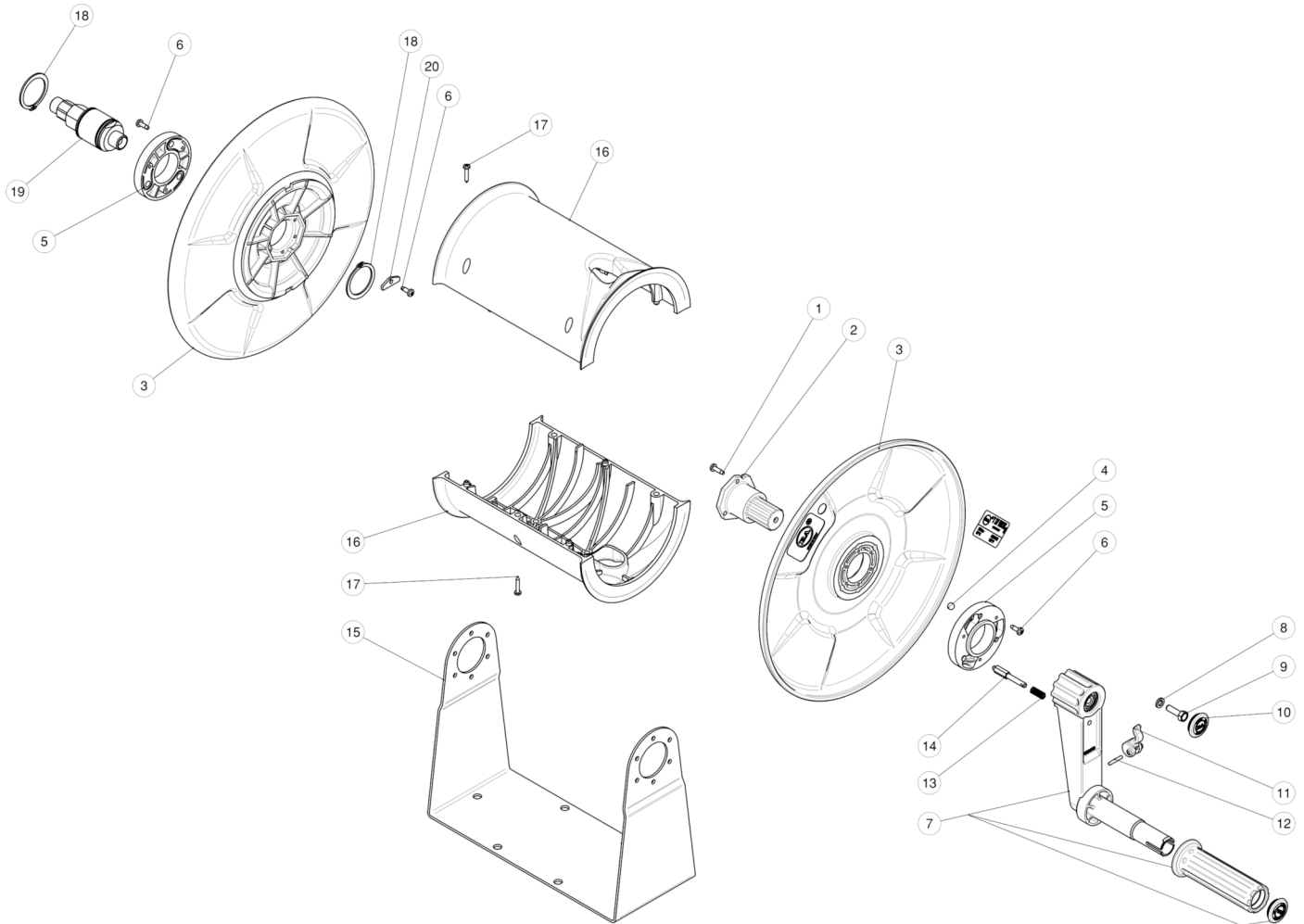
| Pos. | Codice | Descrizione | Q.tà | K1 | K2 | K3 | K4 | |
|------|-------------|---------------------------------|------|----|----|----|----|----|
| 13 | 29.0722.51R | Molla 0,7x6,9x24 mm inox | 1 | • | | | | 10 |
| 14 | 29.0717.31R | Perno sicura ott. | 1 | • | | | | 5 |
| 15 | 29.0721.53R | Supporto T27 inox | 1 | | | | | 1 |
| 15 | 29.0741.53R | Supporto T47 inox (1) | 1 | | | | | 1 |
| 16 | 29.0725.84R | Semiguscio T26 PA nero | 2 | | | | | 2 |
| 16 | 29.0745.84R | Semiguscio T46 PA nero (1) | 2 | | | | | 2 |
| 17 | 16.3077.51R | Vite autofil.3,5x20 mm inox | 6 | | | | | 10 |
| 17 | 16.3077.51R | Vite autofil.3,5x20 mm inox (1) | 8 | | | | | 10 |
| 18 | 10.1035.05R | An. elast. E 35 inox | 2 | | | | | 3 |
| 19 | 26.1150.00 | SW.inox avvol/t.G3/8MM 2seeger | 1 | | | | | 3 |
| 20 | 29.0724.53R | Piastrino inox x avv/tubo | 1 | | | | | 5 |

| Kit | Codice | Descrizione | Q.tà |
|-----|-------------|----------------------------------|------|
| K1 | 29.9210.98R | Stgr.manovella avvolg.serie T *6 | 2 |

(1) 29.0747.00

29.0727.00 T27 H.reel,plast.3/8MM Bsp 20m+sst.sw.

29.0747.00 T47 H.reel,plast.3/8MM Bsp 40m+sst.sw.



| Pos. | P/N | Description | Q.ty | K1 | K2 | K3 | K4 | |
|------|-------------|---------------------------------------|------|----|----|----|----|----|
| 1 | 16.3092.94R | S/tapping screw, DIN7981 4x14 mm Sst. | 3 | | | | | 10 |
| 2 | 29.0713.84R | Transmission pin, PA black | 1 | | | | | 10 |
| 3 | 29.0712.84R | Side disc, black | 2 | | | | | 2 |
| 4 | 14.7427.00R | Ball, 7 mm Sst. | 3 | | | | | 10 |
| 5 | 29.0714.84R | Washer, POM black | 2 | | | | | 5 |
| 6 | 16.3092.92R | S/tapping screw, DIN7981 4x12 mm Sst. | 4 | | | | | 10 |
| 7 | 29.0723.21R | Crank, black | 1 | • | | | | 2 |
| 8 | 14.3569.05R | Washer, 6,4x11x1 mm Sst. | 1 | | | | | 10 |
| 9 | 16.3096.25R | S/tapping screw, DIN7976 6x25 mm Sst. | 1 | | | | | 10 |
| 10 | 41.0411.84R | Plug, Knob PP black | 1 | | | | | 10 |
| 11 | 29.0716.84R | Lever, PA red | 1 | • | | | | 5 |
| 12 | 15.1035.00R | Parallel pin, 3x19 mm Sst. | 1 | • | | | | 10 |

| Pos. | P/N | Description | Q.ty | K1 | K2 | K3 | K4 | |
|------|-------------|---------------------------------------|------|----|----|----|----|----|
| 13 | 29.0722.51R | Spring, 0,7x6,9x24 mm Sst. | 1 | • | | | | 10 |
| 14 | 29.0717.31R | Safety stud, brass | 1 | • | | | | 5 |
| 15 | 29.0721.53R | Support -T27, Sst. | 1 | | | | | 1 |
| 15 | 29.0741.53R | Support -T47, Sst. (1) | 1 | | | | | 1 |
| 16 | 29.0725.84R | Semi-shell -T26, PA black | 2 | | | | | 2 |
| 16 | 29.0745.84R | Semi-shell -T46, PA black (1) | 2 | | | | | 2 |
| 17 | 16.3077.51R | S/tapping screw, 3,5x20 mm Sst. | 6 | | | | | 10 |
| 17 | 16.3077.51R | S/tapping screw, 3,5x20 mm Sst. (1) | 8 | | | | | 10 |
| 18 | 10.1035.05R | Snap ring, E 35 Sst. | 2 | | | | | 3 |
| 19 | 26.1150.00 | Sw -hose reel, Sst. -compl. -2 seeger | 1 | | | | | 3 |
| 20 | 29.0724.53R | Sst. plate | 1 | | | | | 5 |

| Kit | P/N | Description | |
|-----|-------------|------------------|---|
| K1 | 29.9210.98R | Kit crank, black | 2 |

(1) 29.0747.00