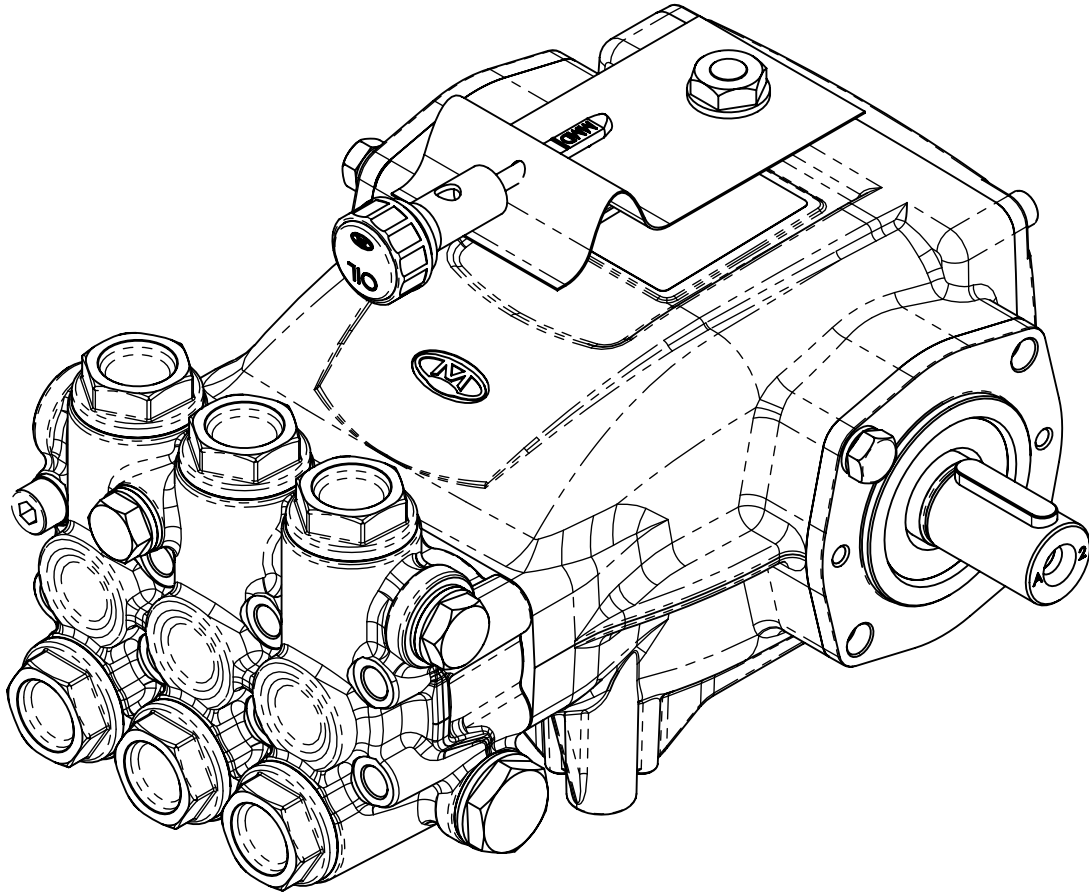


MMD



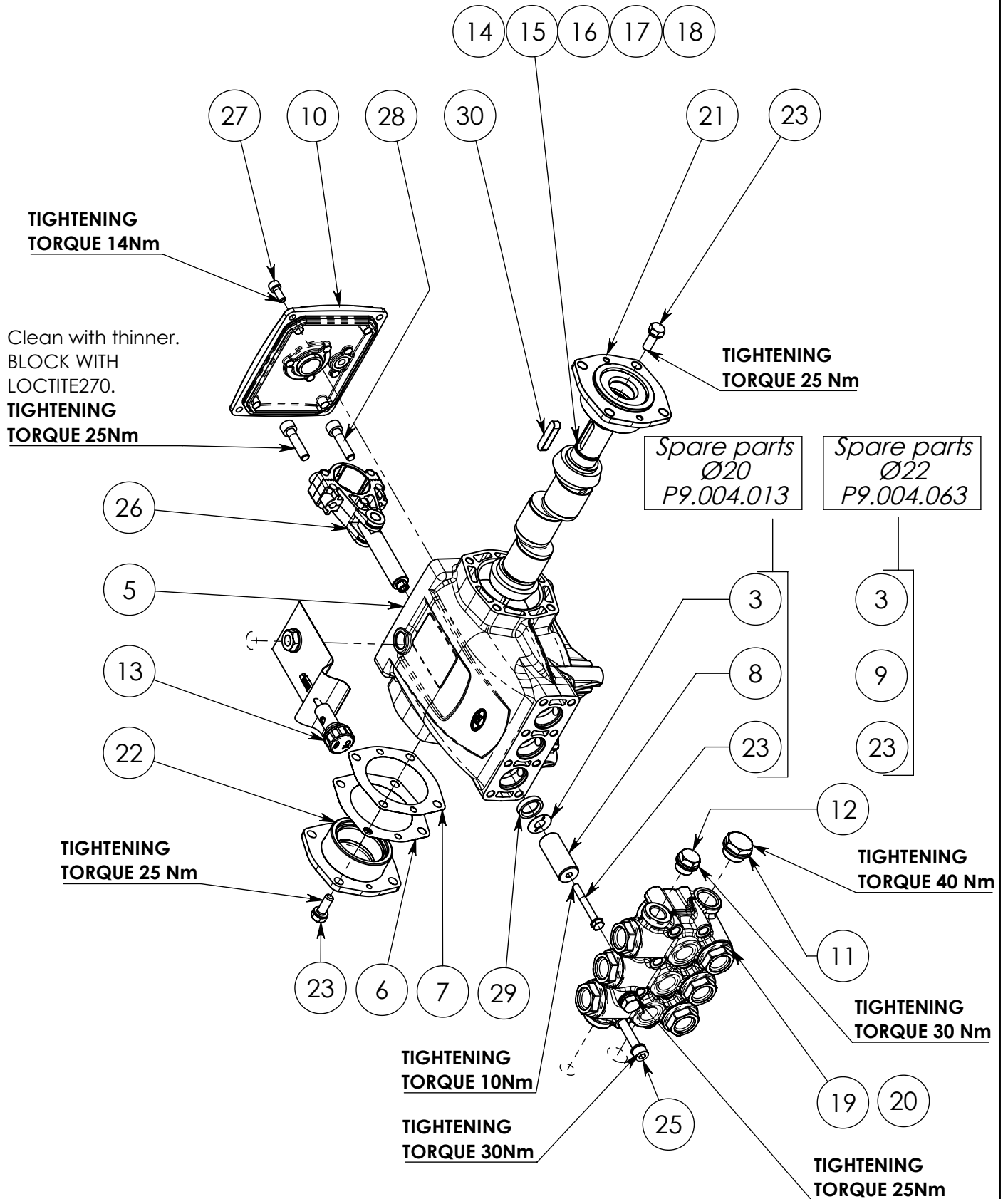
General table

Model	Pressure (Bar)	Pressure (Psi)	Flow Rate 1450 rpm (Lit/min)	Flow Rate 1740 rpm (Lit/min)	Flow Rate 1450 rpm (gpm)	Flow Rate 1740 rpm (gpm)	Round 50Hz (RPM)	Round 60Hz (RPM)	Power 50Hz (Hp)	Power 50Hz (Kw)	Power 60Hz (Hp)	Power 60Hz (Kw)
MMD12250 (R-L)	250	3625	12.00	14.40	3.15	3.80	1450	1740	7.8	5.80	9.35	7
MMD15250 (R-L)	250	3625	15.00	18.00	3.95	4.75	1450	1740	9.75	7.30	11.70	8.70
MMD18250 (R-L)	250	3625	18.00	21.60	4.75	5.70	1450	1740	11.70	8.7	14.00	10.5
MMD21250 (R-L)	250	3625	21.00	25.20	5.55	6.65	1450	1740	13.65	10.2	16.35	12.20
MMD26200 (R-L)	200	2900	26.00	28.80	6.75	7.50	1450	1740	13.5	10.1	15	11.15

Model	Pressure (Bar)	Pressure (Psi)	Flow Rate 1000 rpm (Lit/min)	Flow Rate 1200 rpm (Lit/min)	Flow Rate 1000 rpm (gpm)	Flow Rate 1200 rpm (gpm)	Round 50Hz (RPM)	Round 60Hz (RPM)	Power 50Hz (Hp)	Power 50Hz (Kw)	Power 60Hz (Hp)	Power 60Hz (Kw)
MMD15250 (R-L)	250	3625	15.00	18.00	3.95	4.75	1000	1200	9.75	7.3	11.7	8.7

Exploded MMD

Espoloso MMD

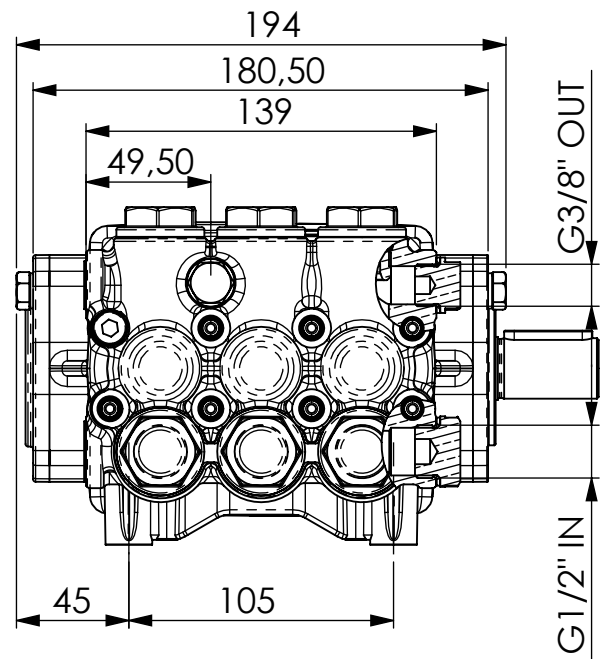
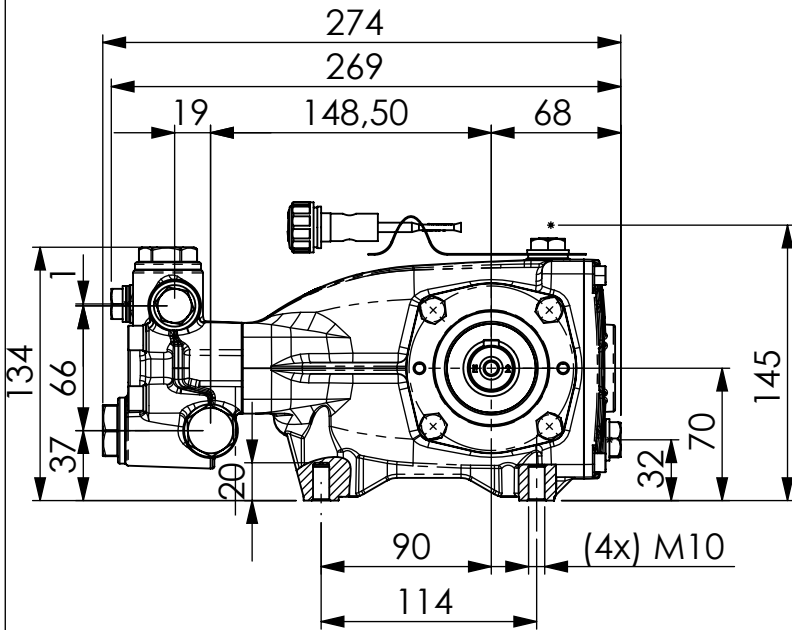




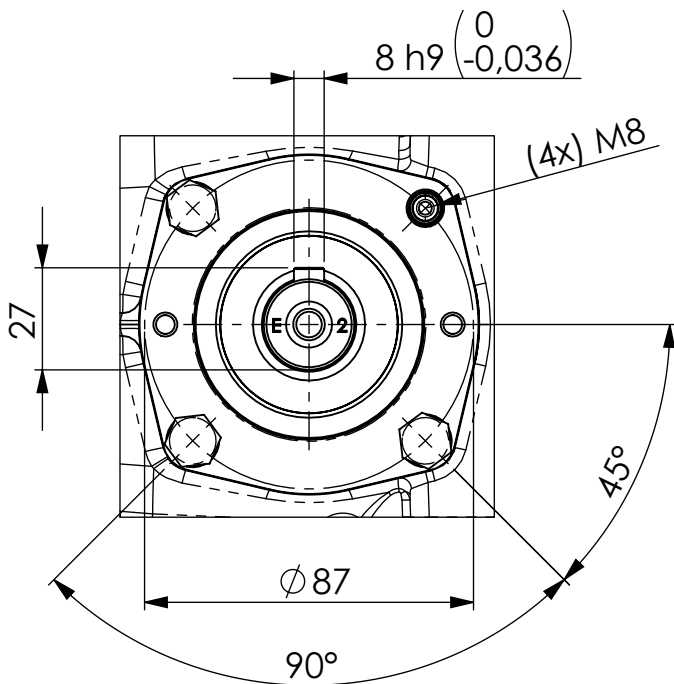
Pos.	MMD 12250 (R-L) Q.TY	MMD 15250 (R-L) Q.TY	MMD 18250 (R-L) Q.TY	MMD 21250 (R-L) Q.TY	MMD 15250 (R-L) 1000rpm Q.TY	MMD 26200 (R-L) Q.TY	Code	ITALIANO	ENGLISH	DEUTSCH	ESPAÑOL	FRANCAIS
2	1	1	1	1	1	1	P0.020.003	Olio o Lubrificante HYDRAULIC 0.7 LIT	Oil or Lubricants HYDRAULIC 0.7 LIT	Öl oder Schmierstoffe HYDRAULIC 0.7 LIT	Aceite o lubricante HYDRAULIC 0.7 LIT	ÖlHuile ou lubrifiant HYDRAULIC 0.7 LIT
3	3	3	3	3	3	3	P1.003.003	Rondella Rame ø23.5 ø9.6X0.5	Copper washer ø23.5 ø9.6X0.5	Kupferunterlegsscheibe ø23.5 ø9.6X0.5	Arandela de cobre ø23.5 ø9.6X0.5	Rondelle cuivre ø23.5 ø9.6X0.5
4	1	1	1	1	1	1	P1.012.052	Tappo	Cap	Deckel	Tapón	Bouchon
5	1	1	1	1	1	1	P1.020.006	Corpo Pompa MM-2	Pump Body MM-2	Pumpenkörper MM-2	Cuerpo de la bomba MM-2	Corps de pompe MM-2
6	1	1	1	1	1	1	P1.060.007	Distanziale MM-2" Sp.0.19	Spacer MM-2" Sp.0.19	Distanzstueck MM-2" Sp.0.19	Distanciador MM-2" Sp.0.19	Entretoise MM-2" Sp.0.19
7	1	1	1	1	1	1	P1.060.008	Distanziale "MM-2" Sp.0.05	Spacer "MM-2" Sp.0.05	Distanzstueck "MM-2" Sp.0.05	Distanciador "MM-2" Sp.0.05	Entretoise "MM-2" Sp.0.05
8	3	3	3	3	3	-	P1.071.013	Pistone ø20 h46-MM-2	Piston ø20 h46-MM-2	Kolben ø20 h46-MM-2	Pistón ø20 h46-MM-2	Piston ø20 h46-MM-2
9	-	-	-	-	-	3	P1.071.024	Pistone Ø22 MMD	Piston Ø22 MMD	Kolben Ø22 MMD	Pistón Ø22 MMD	Piston Ø22 MMD
10	1	1	1	1	1	1	P2.012.001	Coperchio MMD	Cover MMD	Deckel MMD	Tapa MMD	Couvercle MMD
11	1	1	1	1	1	1	P2.013.021	Tappo 1/2" GAS	Cap 1/2" GAS	Deckel 1/2" GAS	Tapón 1/2" GAS	Bouchon 1/2" GAS
12	1	1	1	1	1	1	P2.013.022	Tappo 3/8" GAS	Cap 3/8" GAS	Deckel 3/8" GAS	Tapón 3/8" GAS	Bouchon 3/8" GAS
13	1	1	1	1	1	1	P2.013.037	Tappo MMD GM XM	Cap MMD GM XM	Deckel MMD GM XM	Tapón MMD GM XM	Bouchon MMD GM XM
14	-	-	-	1	-	-	P2.014.011	Albero -E-MM-2	Shaft -E-MM-2	Welle -E-MM-2	Eje -E-MM-2	Arbre -E-MM-2
15	-	1	-	-	-	-	P2.014.012	Albero -A-MM-2	Shaft -A-MM-2	Welle -A-MM-2	Eje -A-MM-2	Arbre -A-MM-2
16	1	-	-	-	-	-	P2.014.013	Albero -B-MM-2	Shaft -B-MM-2	Welle -B-MM-2	Eje -B-MM-2	Arbre -B-MM-2
17	-	-	1	-	-	-	P2.014.014	Albero -C-MM-2	Shaft -C-MM-2	Welle -C-MM-2	Eje -C-MM-2	Arbre-C-MM-2
18	-	-	-	-	1	1	P2.014.015	Albero -D-MM-2	Shaft -D-MM-2	Welle -D-MM-2	Eje -D-MM-2	Arbre -D-MM-2
19	1	1	1	1	1	-	P2.035.011	Testata pompa MMD	Pump head MMD	Pumpekopf MMD	Cabeza bomba MMD	Tete de pompe MMD
20	-	-	-	-	-	1	P2.035.050	Testata pompa MMD Ø22	Pump head MMD Ø22	Pumpekopf MMD Ø22	Cabeza bomba MMD Ø22	Tete de pompe MMD Ø22
21	1	1	1	1	1	1	P2.060.005	Flangia P.d.F. MMD	Flange P.T.O. MMD	Flansch PTO MMD	Brida toma de fuerza MMD	Bride prise de force MMD
22	1	1	1	1	1	1	P2.060.006	Flangia MMD	Flange MMD	Flansch MMD	Borde MMD	Bride MMD
23	8	8	8	8	8	8	P2.119.002	Vite M8X22	Screw M8X22	Schrauben M8X22	Tornillo M8X22	Vis M8X22
22	3	3	3	3	3	3	P2.119.003	Vite M6X50	Screw M6X50	Schrauben M6X50	Tornillo M6X50	Vis M6X50
25	8	8	8	8	8	8	P2.119.007	Vite M8X70	Screw M8X70	Schrauben M8X70	Tornillo M8X70	Vis M8X70
26	3	3	3	3	3	3	P2.150.006	Biella MMD	Connecting rod MMD	Plenelstange MMD	Biela MMD	Bielle MMD
27	4	4	4	4	4	4	P4.002.004	Vite M6x16 UNI5931	Screw M6x16 UNI5931	Schrauben M6x16 UNI5931	Tornillo M6x16 UNI5931	Vis M6x16 UNI5931
28	6	6	6	6	6	6	P4.002.016	Vite M8x35 UNI5931-67	Screw M8x35 UNI5931-67	Schrauben M8x35 UNI5931-67	Tornillo M8x35 UNI5931-67	Vis M8x35 UNI5931-67
29	3	3	3	3	3	3	P4.015.002	Anello 16x24x5 NBR	Ring 16x24x5 NBR	Ring 16x24x5 NBR	Anillo 16x24x5 NBR	Bague 16x24x5 NBR
30	1	1	1	1	1	1	P4.021.001	Chiavetta 8x7x35	Key 8x7x35	Keil 8x7x35	Chaveta 8x7x35	Clavette 8x7x35

MMD Drawing

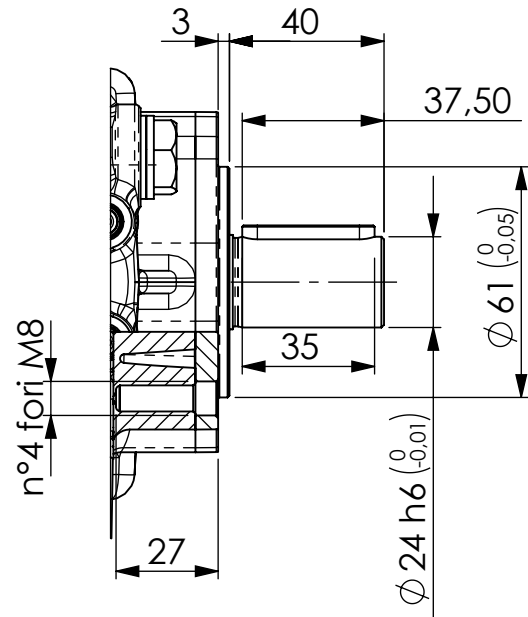
Disegno MMD



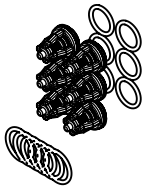
Detailed flange view
Vista dettagliata flangia



Detailed shaft view
Vista dettagliata albero



Spare Parts Ricambi



Code	Q.ty	ITALIANO	ENGLISH	DEUTSCH	ESPAÑOL	FRANCAIS
P2.003.006	6	Valvola VAM 21L/min ø21 MM-1	Valve VAM 21L/min ø21 MM-1	Ventil VAM 21L/min ø21 MM-1	Válvula VAM 21L/min ø21 MM-1	Valve VAM 21L/min ø21 MM-1
P4.005.001	6	OR 3068 NBR	O-ring 3068 NBR	O-Ring 3068 NBR	OR 3068 NBR	Joint torique 3068 NBR
P4.005.002	6	OR 2.62x20.29	O-ring 2.62x20.29	O-Ring 2.62x20.29	OR 2.62x20.29	Joint torique 2.62x20.29

P9.001.005
KIT VALVOLA COMPLETA POMPA MMD - KIT VALVES FOR MM PUMP



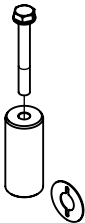
Code	Q.ty	ITALIANO	ENGLISH	DEUTSCH	ESPAÑOL	FRANCAIS
P4.005.029	3	Guarnizione OR 2118 NBR-1.78x29.87	Gasket OR 2118 NBR-1.78x29.87	Dichtung OR 2118 NBR-1.78x29.87	Guarnición OR 2118 NBR-1.78x29.87	Garniture OR 2118 NBR-1.78x29.87
P4.100.001	3	Tenuta pistone anteriore ø20xø30x9	Front piston seal ø20xø30x9	Front Kolbendichtung ø20xø30x9	Junta del pistón delantero ø20xø30x9	Joint de piston avant ø20xø30x9
P4.100.002	3	Tenuta pistone posteriore ø20xø28x8	Piston seal back ø20xø28x8	Kolbendichtung zurück ø20xø28x8	Piston sellado posterior ø20xø28x8	Piston joint arrière ø20xø28x8

P9.003.025
GUARNIZIONE PISTONE ø20 POMPA MMD - KIT PLUNGER SEALS ø20 FOR MM PUMP



Code	Q.ty	ITALIANO	ENGLISH	DEUTSCH	ESPAÑOL	FRANCAIS
P1.024.017	1	Diffusore MM-2	Diffusor MM-2	Diffusor MM-2	Difusor MM-2	Diffuseur MM-2
P2.118.003	1	Pressore MM-2	Pressure Ring MM-2	Bague de pression MM-2	Anillo de presión MM-2	Bague de pression MM-2
P4.100.001	1	Tenuta pistone anteriore ø20xø30x9	Front piston seal ø20xø30x9	Front Kolbendichtung ø20xø30x9	Junta del pistón delantero ø20xø30x9	Joint de piston avant ø20xø30x9

P9.003.026
GUARNIZIONE PISTONE ø20 POMPA MMD PACCO COMPLETO - KIT COMPLETE SEALS



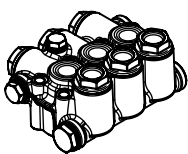
Code	Q.ty	ITALIANO	ENGLISH	DEUTSCH	ESPAÑOL	FRANCAIS
P1.003.003	1	Rondella Rame ø23.5 ø9.6X0.5	Copper washer ø23.5 ø9.6X0.5	Kupferunterlegsscheibe ø23.5 ø9.6X0.5	Arandela de cobre ø23.5 ø9.6X0.5	Rondelle cuivre ø23.5 ø9.6X0.5
P1.071.013	1	Pistone ø20 h46-MM-2	Piston ø20 h46-MM-2	Kolben ø20 h46-MM-2	Pistón ø20 h46-MM-2	Piston ø20 h46-MM-2
P2.119.003	1	Vite M6X50	Screw M6X50	Schrauben M6X50	Tornillo M6X50	Vis M6X50

P9.004.013
KIT PISTONE ø20 POMPA MMD - KIT CERAMIC PISTON



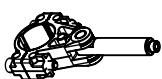
Code	Q.ty	ITALIANO	ENGLISH	DEUTSCH	ESPAÑOL	FRANCAIS
P4.015.002	3	Anello 16x24x5 NBR	Ring 16x24x5 NBR	Ring 16x24x5 NBR	Anillo 16x24x5 NBR	Bague 16x24x5 NBR

P9.039.001
ANELLI TENUTA OLIO ASTA POMPA MM-PM - KIT OIL SEALS



Code	Q.ty	ITALIANO	ENGLISH	DEUTSCH	ESPAÑOL	FRANCAIS
P2.013.021	1	Tappo 1/2" GAS	Cap 1/2" GAS	Deckel 1/2" GAS	Tapón 1/2" GAS	Bouchon 1/2" GAS
P2.013.022	1	Tappo 3/8" GAS	Cap 3/8" GAS	Deckel 3/8" GAS	Tapón 3/8" GAS	Bouchon 3/8" GAS
P2.035.011	1	Testata pompa MMD	Pump head MMD	Pumpekopf MMD	Cabeza bomba MMD	Tete de pompe MMD

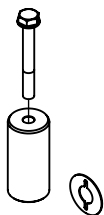
P9.040.017
KIT TESTATA COMPLETA PISTONE ø20 POMPA MMD - COMPLETE HEAD OF THE PUMP



Code	Q.ty	ITALIANO	ENGLISH	DEUTSCH	ESPAÑOL	FRANCAIS
P2.150.006	1	Biella MMD	Connecting rod MMD	Plenelstange MMD	Biela MMD	Bielle MMD
P4.002.016	2	Vite M8x35 UNI5931-67	Screw M8x35 UNI5931-67	Schrauben M8x35 UNI5931-67	Tornillo M8x35 UNI5931-67	Vis M8x35 UNI5931-67

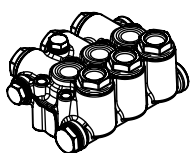
P9.041.004
BIELLA -ASTA POMPA MMD - PREASSEMBLED CONNECTING ROD

Spare Parts Ricambi



<i>Code</i>	<i>Q.ty</i>	<i>ITALIANO</i>	<i>ENGLISH</i>	<i>DEUTSCH</i>	<i>ESPAÑOL</i>	<i>FRANCAIS</i>
P1.003.003	1	Rondella Rame ø23.5 ø9.6X0.5	Copper washer ø23.5 ø9.6X0.5	Kupferunterlegsscheibe ø23.5 ø9.6X0.5	Arandela de cobre ø23.5 ø9.6X0.5	Rondelle cuivre ø23.5 ø9.6X0.5
P1.071.024	1	Pistone Ø22 MMD	Piston Ø22 MMD	Kolben Ø22 MMD	Pistón Ø22 MMD	Piston Ø22 MMD
P2.119.003	1	Vite M6X50	Screw M6X50	Schrauben M6X50	Tornillo M6X50	Vis M6X50

P9.004.036
KIT PISTONE Ø22 POMPA MMD - **KIT CERAMIC PISTON**



<i>Code</i>	<i>Q.ty</i>	<i>ITALIANO</i>	<i>ENGLISH</i>	<i>DEUTSCH</i>	<i>ESPAÑOL</i>	<i>FRANCAIS</i>
P2.013.021	1	Tappo 1/2" GAS	Cap 1/2" GAS	Deckel 1/2" GAS	Tapón 1/2" GAS	Bouchon 1/2" GAS
P2.013.022	1	Tappo 3/8" GAS	Cap 3/8" GAS	Deckel 3/8" GAS	Tapón 3/8" GAS	Bouchon 3/8" GAS
P2.035.050	1	Testata pompa MMD Ø22	Pump head MMD Ø22	Pumpekopf MMD Ø22	Cabeza bomba MMD Ø22	Tete de pompe MMD Ø22

P9.040.063
KIT TESTATA COMPLETA PISTONE Ø22 POMPA MMD - **KIT CERAMIC PISTON**

Pump head MMD

Testata pompa MMD



Use LOCTITE 270.
**TIGHTENING TORQUE
40Nm**

*Spare parts
P9.003.025*

*Spare parts
P9.001.005*

**TIGHTENING
TORQUE 25Nm**

Use LOCTITE 270.
**TIGHTENING TORQUE
40Nm.**

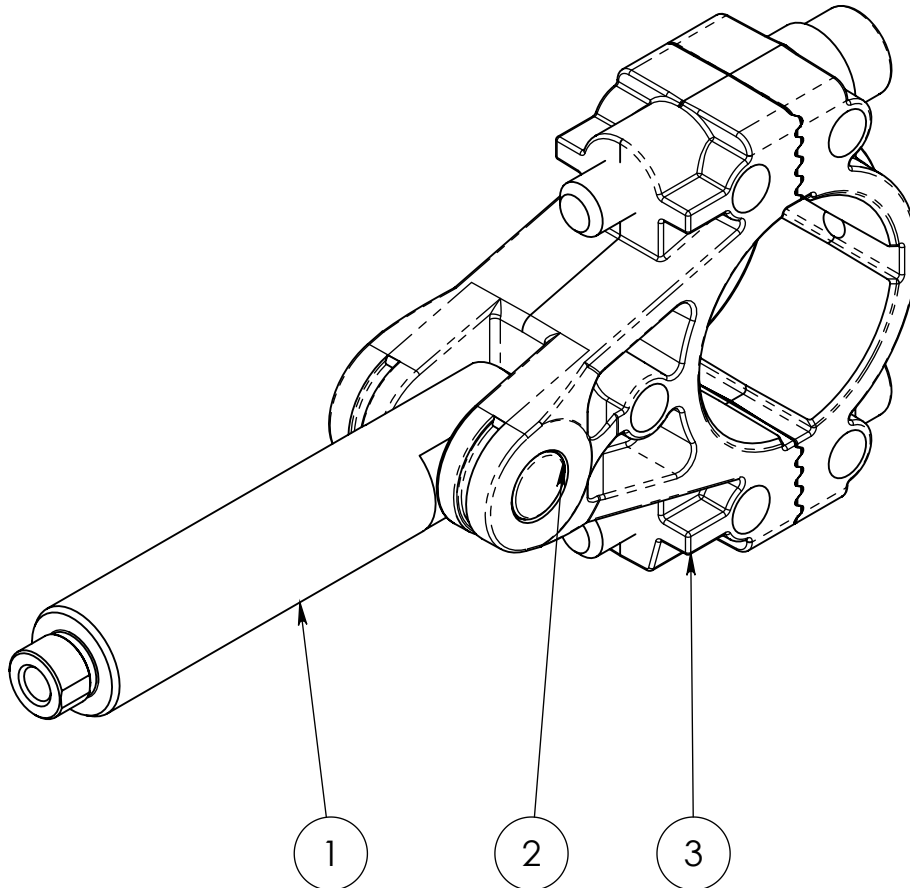
*Spare parts
P9.001.005*

P2.035.011.C
Spare parts P9.040.017

Pos.	Q.Ty	Code	ITALIANO	ENGLISH	DEUTSCH	ESPAÑOL	FRANCAIS
1	1	P1.043.014	Testata pompa MM-2	Pump head MM-2	Pumpekopf MM-2	Cabeza bomba MM-2	Tete de pompe MM-2
2	6	P2.013.007	Tappo V.A.M. +OR	Cap V.A.M. +OR	Deckel V.A.M. +OR	Tapón V.A.M. +OR	Bouchon V.A.M. +OR
3	6	P2.003.006	Valvola VAM 21L/min ø21 MM-1	Valve VAM 21L/min ø21 MM-1	Ventil VAM 21L/min ø21 MM-1	Válvula VAM 21L/min ø21 MM-1	Valve VAM 21L/min ø21 MM-1
4	6	P4.005.001	OR 3068 NBR	O-ring 3068 NBR	O-Ring 3068 NBR	OR 3068 NBR	Joint torique 3068 NBR
5	1	P4.008.007	Rondella Rame 1/4 Ø13x19x1.5	Copper washer 1/4 Ø13x19x1.5	Kupferunterlegsscheibe 1/4 Ø13x19x1.5	Arandela de cobre 1/4 Ø13x19x1.5	Rondelle cuivre 1/4 Ø13x19x1.5
6	1	P1.012.002	Tappo 1/4"Gas	Cap 1/4"Gas	Deckel 1/4"Gas	Tapón 1/4"Gas	Bouchon 1/4"Gas
6.1	1	P4.100.002	Tenuta pistone anteriore ø20xø28x8	Front piston seal ø20xø28x8	Front Kolbendichtung ø20xø28x8	Junta del pistón delantero ø20xø28x8	Joint de piston avant ø20xø28x8
6.2	1	P4.005.029	Guarnizione OR 2118 NBR-1.78x29.87	Gasket OR 2118 NBR-1.78x29.87	Dichtung OR 2118 NBR-1.78x29.87	Guarnición OR 2118 NBR-1.78x29.87	Garniture OR 2118 NBR-1.78x29.87
7	3	P1.024.017	Diffusore MM-2	Diffusor MM-2	Diffusor MM-2	Difusor MM-2	Diffuseur MM-2
8	3	P4.100.001	Tenuta pistone anteriore ø20xø30x9	Front piston seal ø20xø30x9	Front Kolbendichtung ø20xø30x9	Junta del pistón delantero ø20xø30x9	Joint de piston avant ø20xø30x9
9	3	P2.118.003	Pressore MM-2	Pressure Ring MM-2	Bague de pression MM-2	Anillo de presión MM-2	Bague de pression MM-2

Connecting rod MMD

Biella MMD



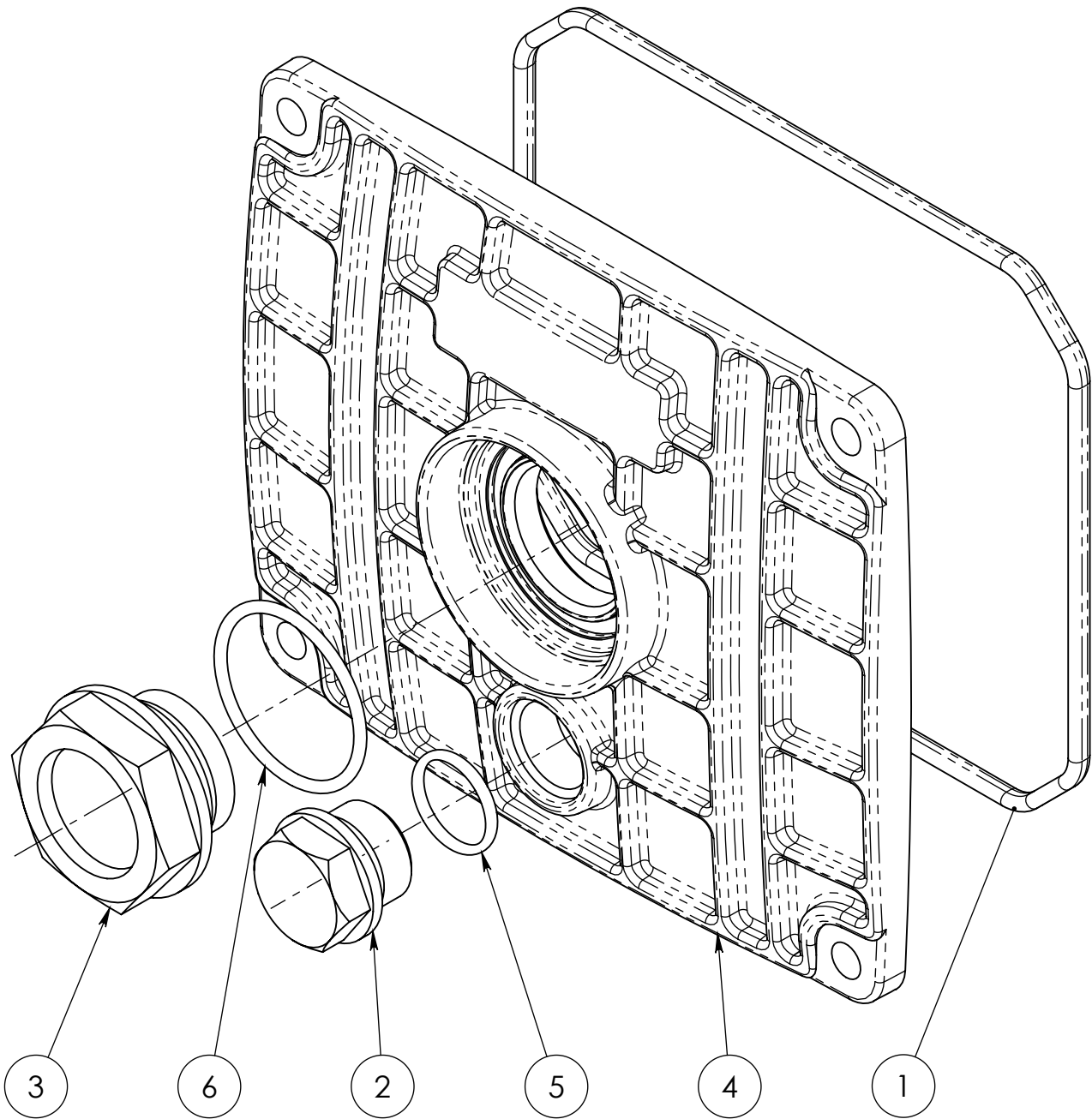
P2.150.006.B

Spare parts P9.041.004

Pos.	Q.ty	Code	ITALIANO	ENGLISH	DEUTSCH	ESPAÑOL	FRANCAIS
1	1	P1.010.008	Asta MMD	Pole MMD	Pfosten MMD	Asta MMD	Tige MMD
2	1	P1.013.004	Spina cilindrica ø10x30	Cylindrical pin ø10x30	Zylinder Stift ø10x30	Pasador cilindrico ø10x30	Goupille cylindrique ø10x30
3	1	P1.099.008	Biella MMD	Connecting rod MMD	Plenelstange MMD	Biela MMD	Bielle MMD

Cover MMD

Coperchio MMD



P2.012.001.G

Pos.	Q.Ty	Code	ITALIANO	ENGLISH	DEUTSCH	ESPANOL	FRANCAIS
1	1	P1.006.005	Guarnizione coperchio MMD	Lid gasket MMD	Deckeldichtung MMD	Junta de tapa MMD	Joint de couvercle MMD
2	1	P1.012.003	Tappo G 3/8" H18	Cap G 3/8" H18	Deckel G 3/8" H18	Tapón G 3/8" H18	Bouchon G 3/8" H18
3	1	P1.012.015	Tappo G3/4	Cap G3/4	Deckel G3/4	Tapón G3/4	Bouchon G3/4
4	1	P1.054.001	Coperchio "MM"	Cover "MM"	Deckel "MM"	Tapa "MM"	Couvercle "MM"
5	1	P4.005.007	Guarnizione OR 2056 14x1.78NBR 70Sh	Gasket OR 2056 14x1.78NBR 70Sh	Dichtung OR 2056 14x1.78NBR 70Sh	Guarnición OR 2056 14x1.78NBR 70Sh	Garniture OR 2056 14x1.78NBR 70Sh
6	1	P4.005.030	OR ORM0285-20 (NBR)	O-ring ORM0285-20 (NBR)	O-Ring ORM0285-20 (NBR)	OR ORM0285-20 (NBR)	Joint torique ORM0285-20 (NBR)