



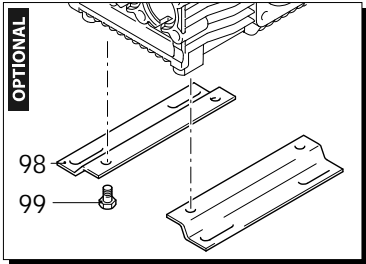
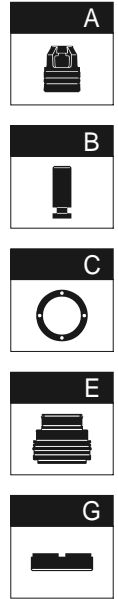
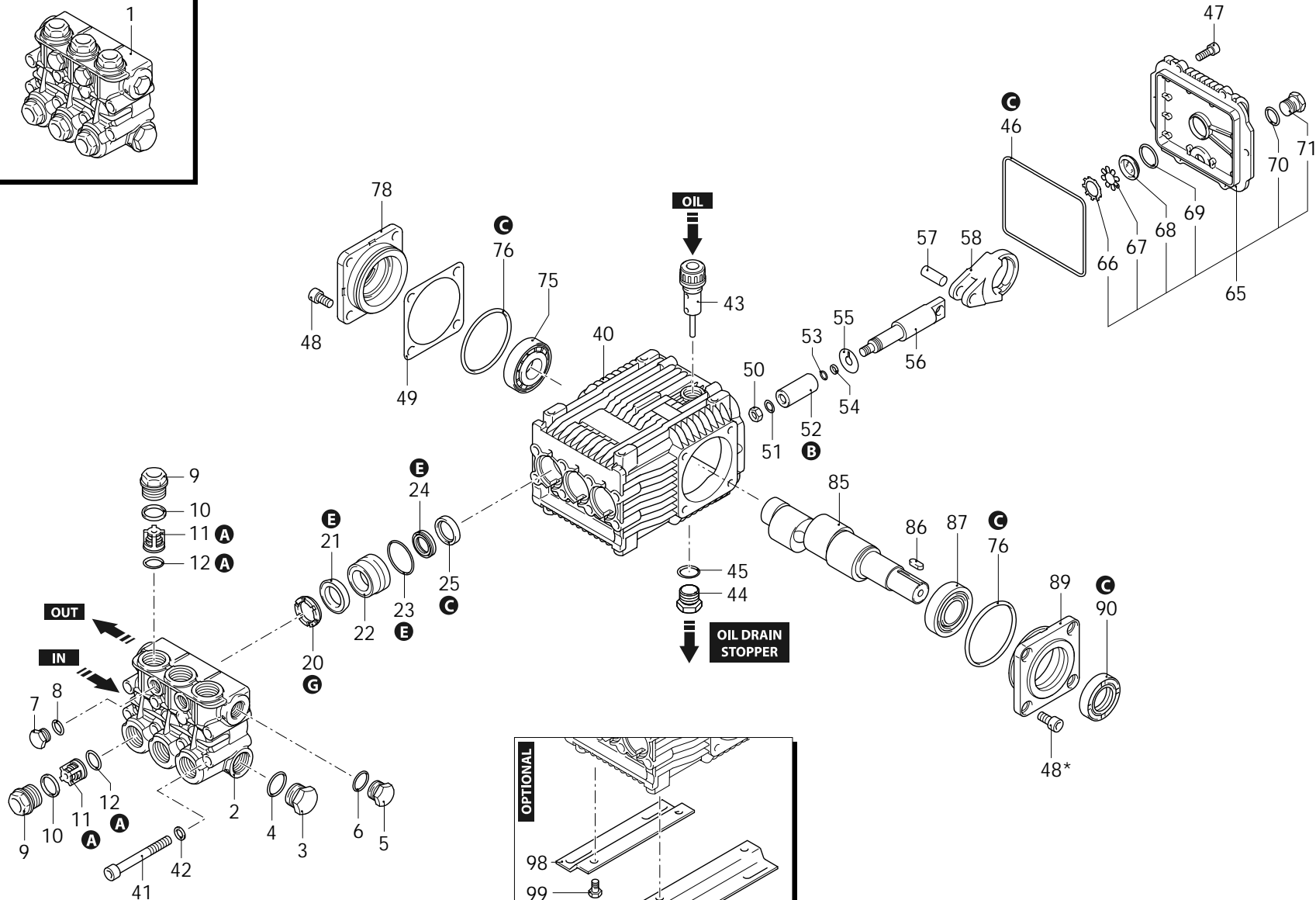
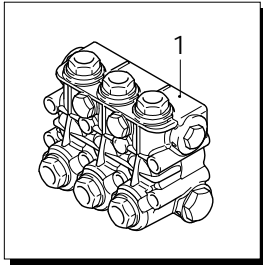
Series 228

RK

N

1450rpm

ø 24mm



AR_s228-02_v01

09/10/2025



Series 228

RK

N

1450rpm

ø 24mm

P	Code	Description	Q	Assembly prescription	Validity	P	Code	Description	Q	Assembly prescription	Validity
1	1389220	Head assembly	1	Ø 22		57	1380060	Pin	3		
2	1380680	Head	1	nickel plated		58	1383050	Connecting-rod	3	aluminium	
3	960870	Plug	1	1/2" G nickel	C=30Nm / Loxeal 55-14	65	1789010	Cover	1	complete	
4	180101	O-ring	1	Ø 17,5x2	Lubricate with grease Molykote PG54	66	1260430	Ring	1		
5	1981180	Plug	1	3/8" G nickel	C=20Nm / Loxeal 55-14	67	1780690	Plate	1		
6	740290	O-ring	1	Ø 14x1,78	Lubricate with grease Molykote PG54	68	1260250	Level gauge	1		
7	1380690	Plug	1	1/4" G nickel	C=15Nm / Loxeal 55-14	69	1140450	O-ring	1	Ø 20,24x2,62	Lubricate with grease Molykote PG54
8	820510	O-ring	1	Ø 10,82x1,78		70	740290	O-ring	1	Ø 14x1,78	Lubricate with grease Molykote PG54
9	1380740	Plug	6	nickel	C=54Nm / Loxeal 55-14	71	1980740	Plug	1	3/8" G brass	C=20Nm
10	960160	O-ring	6	Ø 17,86x2,62	Lubricate with grease Molykote PG54	75	2280340	Bearing	1		
11	1389051	Complete valve	6			76	640030	O-ring	2	Ø 59,99x2,62	
12	880830	O-ring	6	Ø 15,54x2,62	Lubricate with grease Molykote PG54	78	1380050	Support	1	open bearing	
20	840320	Ring	3	support Ø 22		85	2280070	Shaft	1	2 marked	
21	840330	Water seal	3	Ø 22		86	1380520	Key	1		
22	1380160	Piston guide	3	Ø 22		87	1383140	Bearing	1		
23	961240	O-ring	3	Ø 31,47x1,78		89	1380040	Support	1	open bearing	
24	840340	Water seal	3	Ø 22		90	2282261	Ring	1	seal	Assemble with tool [2281010]
25	880520	Ring	3	seal		98	1380141	Foot	2	C=20Nm	
40	1382770	Pump body	1			99	1263130	Screw	4	TE M8x12	C=20Nm
41	820150	Screw	8	TCEI M8x70	C=25Nm	A	2864	Valve kit	1		
42	1381850	Washer	8			B	2759	Piston kit	1	Ø 22	
43	880130	Oil plug	1	with oil dipstick		C	1855	Oil seal kit	1		
44	1980740	Plug	1	3/8" G brass	C=20Nm	E	1888	Water seal kit	1	Ø 22	
45	740290	O-ring	1	Ø 14x1,78	Lubricate with grease Molykote PG54	E	2811	Water seal kit	1	Ø 22 Viton	
46	1780510	O-ring	1	Ø 106x3		G	1816	Support ring kit	1	Ø 22	
47	1343510	Screw	6	TCEI M6x14	C=10Nm						
48	850370	Screw	4	TCEI M8x16	C=24,5Nm						
48*	850370	Screw	4	TCEI M8x16	C=24,5Nm						
49	1380120	Shim 0.10mm	1								
49	1380130	Shim 0.19mm	1								
49	1380530	Shim 0.25mm	1								
50	962010	Nut	3	M8							
51	962000	Washer	3		C=20Nm / Loxeal 55-14						
52	1382360	Piston	3	Ø 22							
53	600180	O-ring	3	Ø 7,66x1,78							
54	1080401	Ring	3	anti-extrusion							
55	1380950	Plate	3								
56	1380920	Piston	3	guide							

Revision: 1

Oil type: SAE 15W40

Validity: < XX/YY = From week/year

Date: 09/10/2025

Oil quantity: 0,435 Kg

C= Tightening torque (Tolerance +0 ÷ -10%)

* = Not present for electric pump