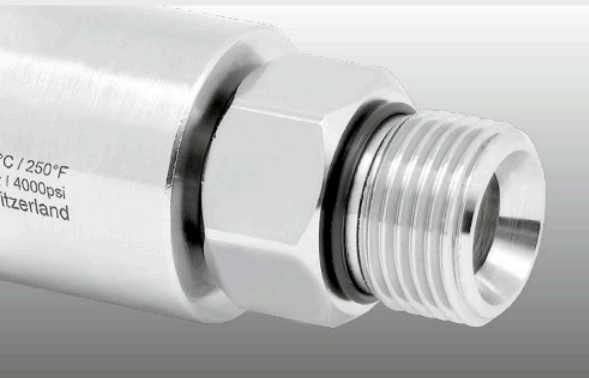


- ✓ Triple bearing system
- ✓ Seal failure warning, through weep holes
- ✓ Stainless steel
- ✓ Maintenance free
- ✓ Carbide seals

Application

High pressure cleaning technology, parts washers, tire cleaners, high speed



TECHNICAL DATA

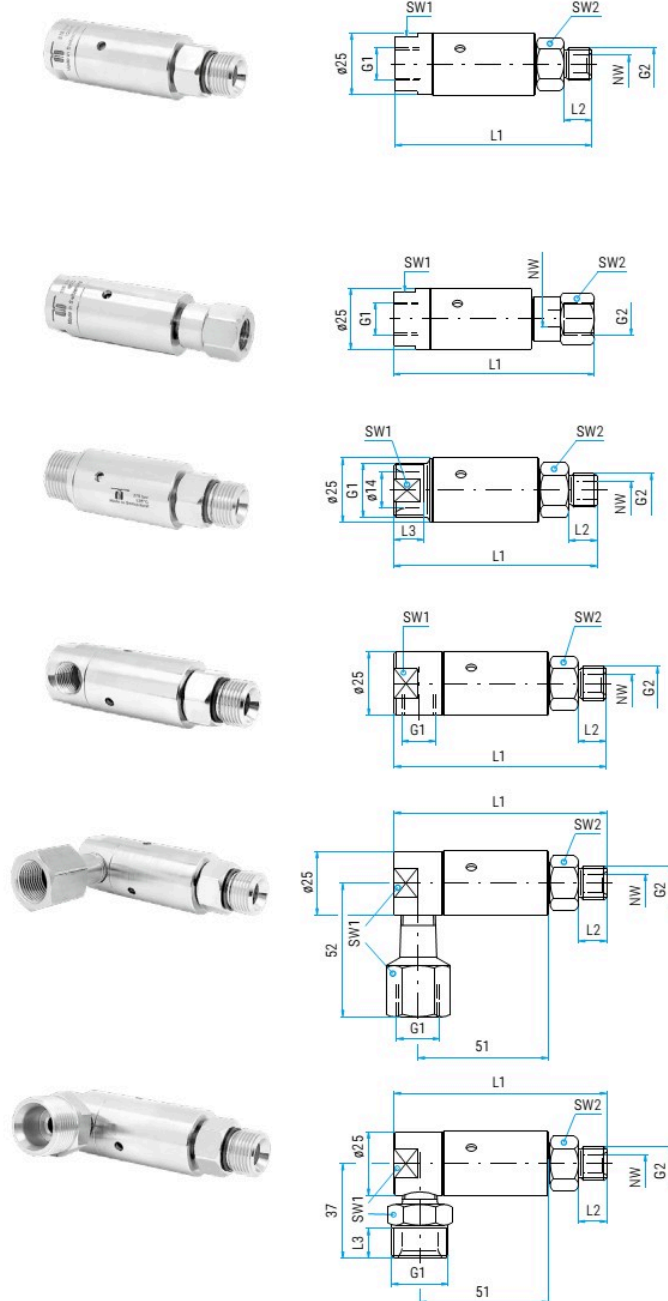
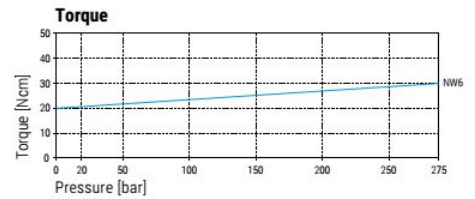
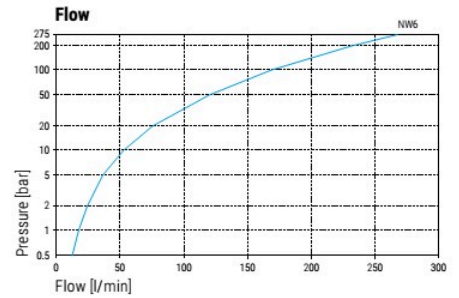
Pressure 275 bar (27.5 MPa)
Temperature 120°C
RPM max. 2'000 rpm

Body DYL: brass, nickel plated
 DYLI: stainless steel

Inner part stainless steel
Seal carbide

Bearing 2x radial ball bearings
 1x thrust ball bearing

Throughput medium pH 3 - 12
 10 µm filtered
 20 bar compressed air



DYL DYLI

Part No.	Part No.	G1 (F)	G2 (M)	NW	SW1	SW2	L1	L2	Weight
56.001	56.011	G1/4" F	G1/4" M	6	22	19	79	11	210 g
56.003	56.013	G1/4" F	G3/8" M	6	22	19	80	12	210 g
56.025	---	G1/4" F	1/8" NPTM	6	22	10	72	8	170 g
56.101	56.111	G3/8" F	G1/4" M	6	22	19	79	11	210 g
56.103	56.113	G3/8" F	G3/8" M	6	22	19	80	12	210 g
56.125	---	G3/8" F	1/8" NPTM	6	22	10	72	8	160 g

Part No.	Part No.	G1 (F)	G2 (F)	NW	SW1	SW2	L1	Weight
56.002	56.012	G1/4" F	G1/4" F	6	22	19	82	230 g
56.004	56.014	G1/4" F	G3/8" F	6	22	22	83	230 g
56.102	56.112	G3/8" F	G1/4" F	6	22	19	82	230 g
56.104	56.114	G3/8" F	G3/8" F	6	22	22	83	230 g

Part No.	G1 (QV)	G2 (M)	NW	SW1	SW2	L1	L2	L3	Weight
56.201	M21x1.5 M	G1/4" M	6	19	19	79	11	10	210 g
56.203	M21x1.5 M	G3/8" M	6	19	19	80	12	10	210 g
56.251	M22x1.5 M	G1/4" M	6	19	19	79	11	10	210 g
56.253	M22x1.5 M	G3/8" M	6	19	19	80	12	10	210 g

DYL 90° DYLI 90°

Part No.	Part No.	G1 (F)	G2 (M)	NW	SW1	SW2	L1	L2	Weight
56.301	56.311	G1/4" F	G1/4" M	6	22	19	84	11	210 g
56.303	56.313	G1/4" F	G3/8" M	6	22	19	85	12	210 g

Part No.	G1 (F)	G2 (M)	NW	SW1	SW2	L1	L2	Weight
56.401	G3/8" F	G1/4" M	6	22	19	84	11	290 g
56.403	G3/8" F	G3/8" M	6	22	19	85	12	300 g

Part No.	G1 (QV)	G2 (M)	NW	SW1	SW2	L1	L2	L3	Weight
56.503	M21x1.5 M	G3/8" M	6	22	19	85	12	12	290 g
56.553	M22x1.5 M	G3/8" M	6	22	19	85	12	12	300 g

36.905	Seal kit NW 6
36.906	Seal kit + adhesive

Legend

M.. = metric thrust, ..M = male, F = female, G = gas pipe thrust, R = gas pipe thrust conical, QV = quick connects
 SV = profile ring fitting, D = diameter, L = length, NW = nominal width, SW = wrench size

WWW.MOSMATIC.COM