

- ✓ Dual bearing system
- ✓ Complete stainless steel construction
- ✓ Rugged design
- ✓ Maintenance free

### Application

Automatic car wash, industrial application, high pressure hose reels, high flow



#### TECHNICAL DATA

**Pressure** 200 bar (20 MPa)  
20 bar\* (2 MPa)

**Temperature** 5°C - 80°C

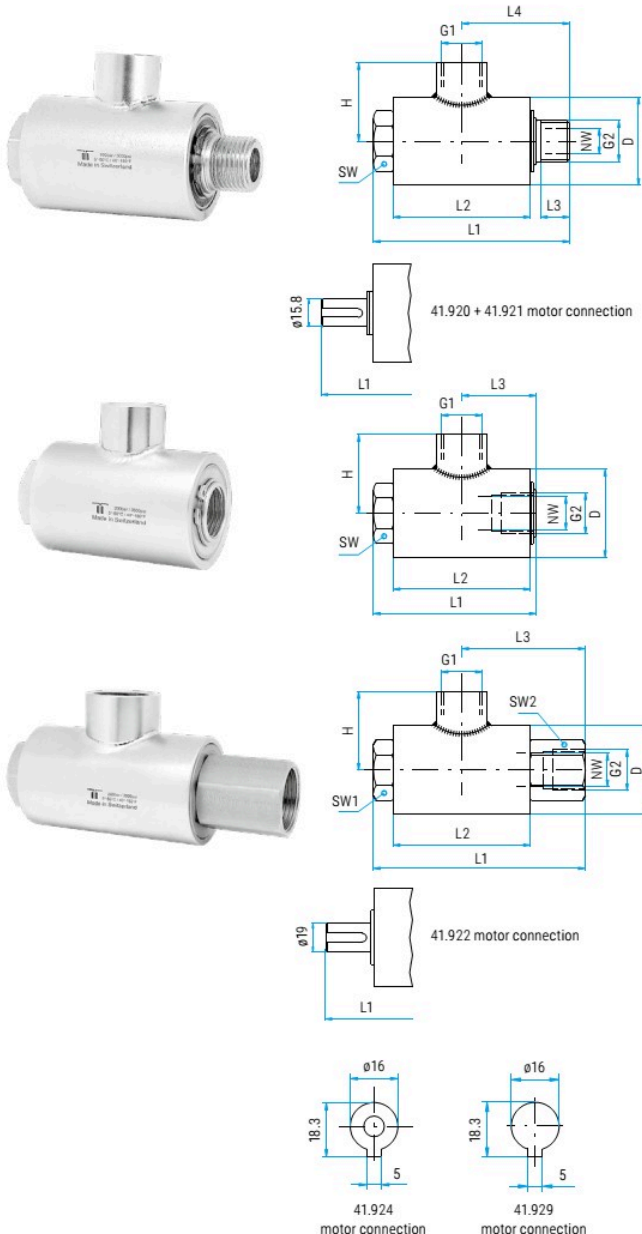
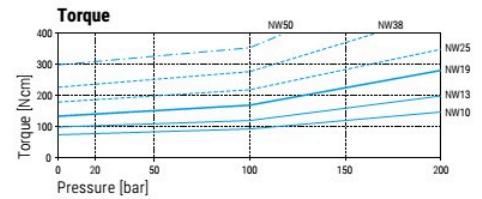
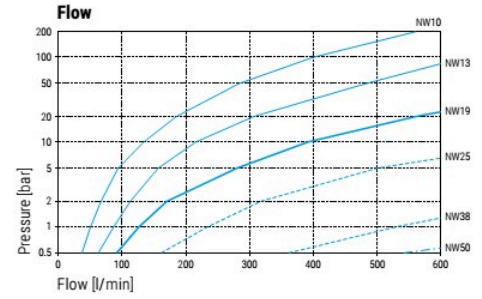
**RPM** see chart (max. RPM)

**Body** stainless steel

**Inner part Seal** stainless steel  
O-ring NBR  
(optional: EPDM or FKM)

**Bearing** 2x radial ball bearings

**Throughput medium** pH 3 - 12  
10 µm filtered  
20 bar compressed air



#### WDRS (no front to back forces allowed)

Part No.	G1 (F)	G2 (M)	NW	SW	H	L1	L2	L3	L4	D	max. RPM	Weight
41.111	G3/8" F	R3/8" M	10	27	37	105	80	11	56	45	150	0.92 kg
41.211	G1/2" F	R1/2" M	13	27	40	110	80	15	60	45	150	0.92 kg
41.311	G3/4" F	R3/4" M	19	32	43	122	90	16	67	50	130	1.16 kg
41.411	G1" F	R1" M	25	36	48	136	100	18	74	56	110	1.60 kg
41.511	G1½" F	R1½" M	38	55	60	150	110	20	83	71	76	2.70 kg
41.611	G2" F	R2" M	50	70	70	180	134	22	97	90	60	4.90 kg
41.636*	G2½" F	G2½" M	65	85	100	242	175	24	139	140	50	15.0 kg

#### WDRS (with motor connection)

Part No.	G1 (F)	G2 (M)	NW	SW	H	L1	L2	L3	L4	D	max. RPM	Weight
41.920	1/2" NPTF	1/2" NPTM	13	27	40	155	70	15	84	45	150	0.94 kg
41.921	1/2" NPTF	1/2" NPTM	13	19	40	155	80	15	84	45	150	1.01 kg

#### WDRS (no front to back forces allowed)

Part No.	G1 (F)	G2 (F)	NW	SW	H	L1	L2	L3	D	max. RPM	Weight
41.212	G1/2" F	G1/2" F	13	27	40	93	80	43	45	150	0.88 kg

#### WDRS (no front to back forces allowed)

Part No.	G1 (F)	G2 (F)	NW	SW1	SW2	H	L1	L2	L3	D	max. RPM	Weight
41.312	G3/4" F	G3/4" F	19	32	32	43	140	90	85	50	130	1.27 kg
41.412	G1" F	G1" F	25	36	36	48	157	100	95	56	110	1.61 kg
41.512	G1½" F	G1½" F	38	55	55	60	172	110	105	71	76	2.87 kg
41.612	G2" F	G2" F	50	70	70	70	204	134	121	90	60	5.40 kg
41.637*	G2½" F	G2½" F	65	85	85	100	246	175	143	140	50	15.0 kg

#### WDRS (with motor connection)

Part No.	G1 (F)	G2 (F)	NW	SW2	H	L1	L2	L3	D	max. RPM	Weight
41.922	3/4" NPTF	3/4" NPTF	19	32	43	162	90	78	50	130	1.28 kg

#### WDRS (with motor connection, 1x radial ball bearing)

Part No.	IN	OUT	NW	max. RPM	Weight
40.924	G3/8" F	3x G1/4" F	9	130	3.00 kg
40.929	G3/8" F	2x 1/8" NPTF / 1x G1/4" F	9	130	3.20 kg

41.912	Seal kit NW 13
41.913	Seal kit NW 19
41.914	Seal kit NW 25
41.915	Seal kit NW 38
41.916	Seal kit NW 50
41.925	Seal kit NW 65

41.930	Repair kit NW 10 + 13
41.931	Repair kit NW 19
41.932	Repair kit NW 25
41.933	Repair kit NW 38
41.934	Repair kit NW 50
41.936	Repair kit NW 65

Repair kit includes seal and bearing set.

#### Legend

M.. = metric thrust, ..M = male, F = female, G = gas pipe thrust, R = gas pipe thrust conical, QV = quick connects  
SV = profile ring fitting, D = diameter, L = length, NW = nominal width, SW = wrench size

#### Additional Seal Options available

EPDM (E) or FKM/Viton (V). Please indicate letter of seal material after part number.  
Minimum orders apply.