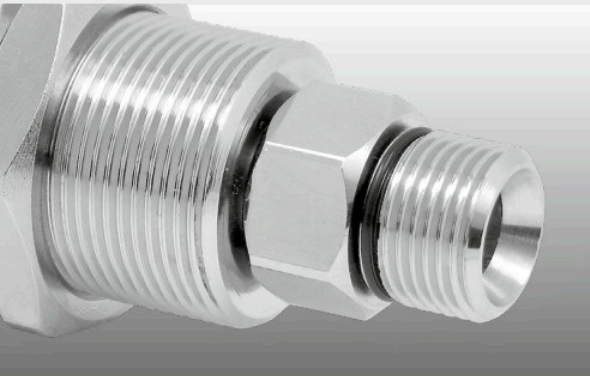


- ✓ Bulkhead fitting for mounting
- ✓ Corrosion resistant
- ✓ Highest quality and precision
- ✓ Maintenance free
- ✓ Carbide seals



Application

Surface cleaners, parts washers, tire cleaners, high pressure, self rotating applications

TECHNICAL DATA

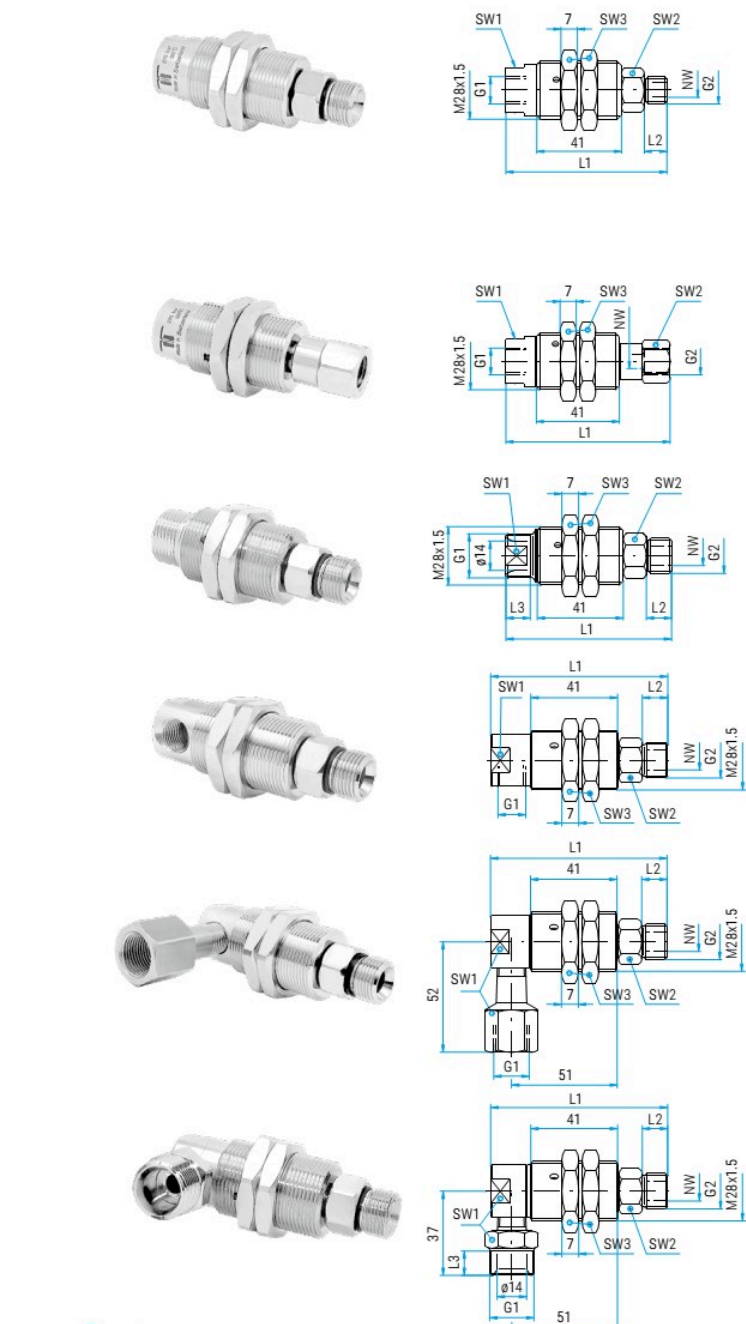
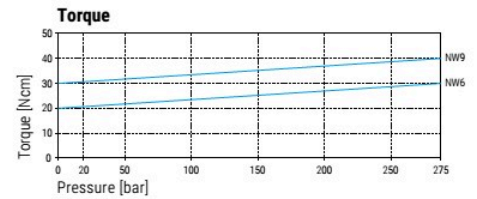
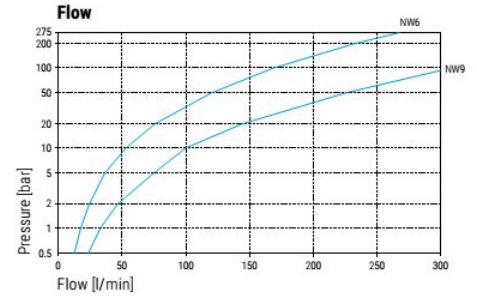
Pressure 275 bar (27.5 MPa)
Temperature 120°C
RPM max. 2'000 rpm

Body
 DYG: brass, nickel plated
 DYGI: stainless steel

Inner part
Seal stainless steel
 carbide

Bearing
 2x radial ball bearings
 1x thrust ball bearing

Throughput medium
 pH 3 - 12
 10 µm filtered
 20 bar compressed air



DYG DYGI

Part No.	Part No.	G1 (F)	G2 (M)	NW	SW1	SW2	SW3	L1	L2	Weight
57.001	57.011	G1/4" F	G1/4" M	6	22	19	34*	79	11	290 g
57.003	57.013	G1/4" F	G3/8" M	6	22	19	34*	80	12	300 g
57.025	---	G1/4" F	1/8" NPTM	6	22	10	34	72	8	260 g
57.101	57.111	G3/8" F	G1/4" M	6	22	19	34*	79	11	280 g
57.103	57.113	G3/8" F	G3/8" M	6	22	19	34*	80	12	290 g
57.125	---	G3/8" F	1/8" NPTM	6	22	10	34	72	8	250 g
57.603	57.613	G3/8" F	G3/8" M	9	22	19	34*	80	12	290 g

Part No.	Part No.	G1 (F)	G2 (F)	NW	SW1	SW2	SW3	L1	Weight
57.002	57.012	G1/4" F	G1/4" F	6	22	19	34*	82	230 g
57.004	57.014	G1/4" F	G3/8" F	6	22	22	34*	83	240 g
57.102	57.112	G3/8" F	G1/4" F	6	22	19	34*	82	220 g
57.104	57.114	G3/8" F	G3/8" F	6	22	22	34*	83	230 g
57.604	57.614	G3/8" F	G3/8" F	9	22	22	34*	83	230 g

* at DYGI: 36 mm

Part No.	G1 (QV)	G2 (M)	NW	SW1	SW2	SW3	L1	L2	L3	Weight
57.201	M21x1.5 M	G1/4" M	6	19	19	34	79	11	12	270 g
57.203	M21x1.5 M	G3/8" M	6	19	19	34	80	12	12	280 g
57.251	M22x1.5 M	G1/4" M	6	20	19	34	79	11	12	270 g
57.253	M22x1.5 M	G3/8" M	6	20	19	34	80	12	12	280 g

DYG 90° DYGI 90°

Part No.	Part No.	G1 (F)	G2 (M)	NW	SW1	SW2	SW3	L1	L2	Weight
57.301	57.311	G1/4" F	G1/4" M	6	22	19	34*	84	11	300 g
57.303	57.313	G1/4" F	G3/8" M	6	22	19	34*	85	12	310 g

* at DYGI: 36 mm

Part No.	G1 (F)	G2 (M)	NW	SW1	SW2	SW3	L1	L2	Weight
57.401	G3/8" F	G1/4" M	6	22	19	34	84	11	380 g
57.403	G3/8" F	G3/8" M	6	22	19	34	85	12	390 g

Part No.	G1 (QV)	G2 (M)	NW	SW1	SW2	SW3	L1	L2	L3	Weight
57.503	M21x1.5 M	G3/8" M	6	22	19	34	85	12	12	390 g
57.553	M22x1.5 M	G3/8" M	6	22	19	34	85	12	12	400 g

36.905	Seal kit NW 6
36.906	Seal kit + adhesive
36.908	Seal kit NW 9

Legend

M.. = metric thrust, ..M = male, F = female, G = gas pipe thrust, R = gas pipe thrust conical, QV = quick connects
 SV = profile ring fitting, D = diameter, L = length, NW = nominal width, SW = wrench size