

- ✓ Flange for easy installation
- ✓ Seal failure warning, through weep holes
- ✓ Maintenance free
- ✓ Carbide seal system

Application

Surface cleaners, parts washers, tire cleaners, high pressure, self rotating applications

TECHNICAL DATA

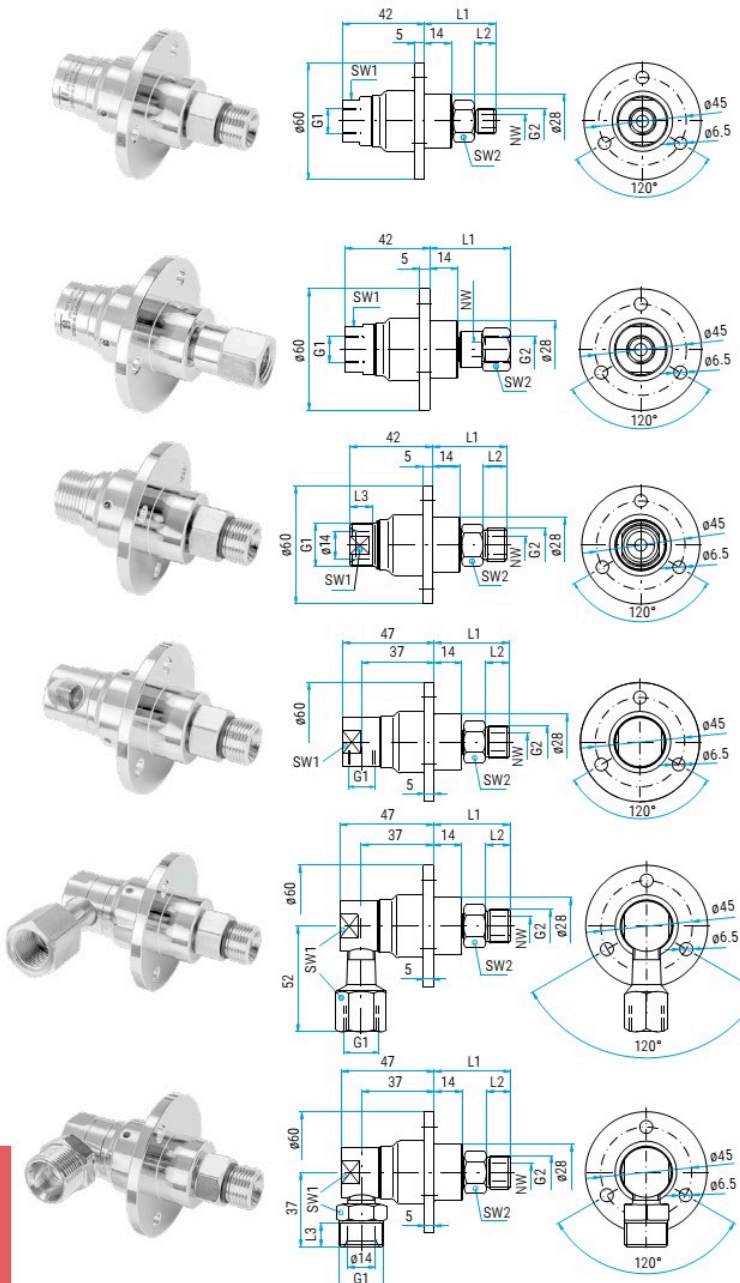
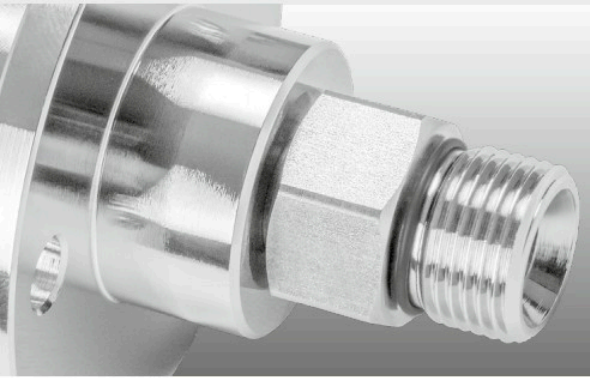
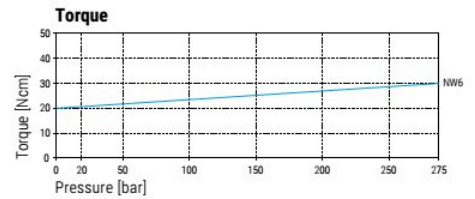
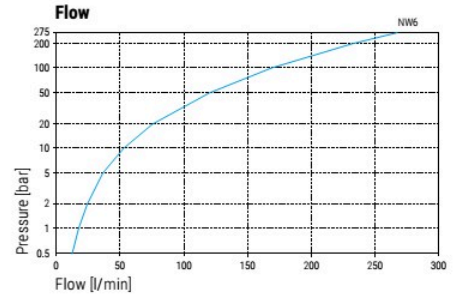
Pressure 275 bar (27.5 MPa)
Temperature 120°C
RPM max. 2'000 rpm

Body DYF: brass, nickel plated
 DYFI: stainless steel

Inner part stainless steel
Seal carbide

Bearing 2x radial ball bearings
 1x thrust ball bearing

Throughput medium pH 3 - 12
 10 µm filtered
 20 bar compressed air



Part No.	Part No.	G1 (F)	G2 (M)	NW	SW1	SW2	L1	L2	Weight
58.001	58.011	G1/4" F	G1/4" M	6	22	19	37	11	340 g
58.003	58.013	G1/4" F	G3/8" M	6	22	19	38	12	390 g
58.025	---	G1/4" F	1/8" NPTM	6	22	10	30	8	310 g
58.101	58.111	G3/8" F	G1/4" M	6	22	19	37	11	330 g
58.103	58.113	G3/8" F	G3/8" M	6	22	19	38	12	380 g
58.125	---	G3/8" F	1/8" NPTM	6	22	10	30	8	300 g

Part No.	Part No.	G1 (F)	G2 (F)	NW	SW1	SW2	L1	Weight
58.002	58.012	G1/4" F	G1/4" F	6	22	19	39	280 g
58.004	58.014	G1/4" F	G3/8" F	6	22	22	41	290 g
58.102	58.112	G3/8" F	G1/4" F	6	22	19	39	270 g
58.104	58.114	G3/8" F	G3/8" F	6	22	22	41	280 g

Part No.	G1 (QV)	G2 (M)	NW	SW1	SW2	L1	L2	L3	Weight
58.201	M21x1.5 M	G1/4" M	6	19	19	37	11	12	320 g
58.203	M21x1.5 M	G3/8" M	6	19	19	38	12	12	330 g
58.251	M22x1.5 M	G1/4" M	6	20	19	37	11	12	320 g
58.253	M22x1.5 M	G3/8" M	6	20	19	38	12	12	330 g

Part No.	G1 (F)	G2 (M)	NW	SW1	SW2	L1	L2	Weight
58.301	G1/4" F	G1/4" M	6	22	19	37	11	350 g
58.303	G1/4" F	G3/8" M	6	22	19	38	12	400 g

Part No.	G1 (F)	G2 (M)	NW	SW1	SW2	L1	L2	Weight
58.401	G3/8" F	G1/4" M	6	22	19	37	11	450 g
58.403	G3/8" F	G3/8" M	6	22	19	38	12	500 g

Part No.	G1 (QV)	G2 (M)	NW	SW1	SW2	L1	L2	L3	Weight
58.503	M21x1.5 M	G3/8" M	6	22	19	38	12	12	450 g
58.553	M22x1.5 M	G3/8" M	6	22	19	38	12	12	450 g

36.905	Seal kit NW 6
36.906	Seal kit + adhesive