

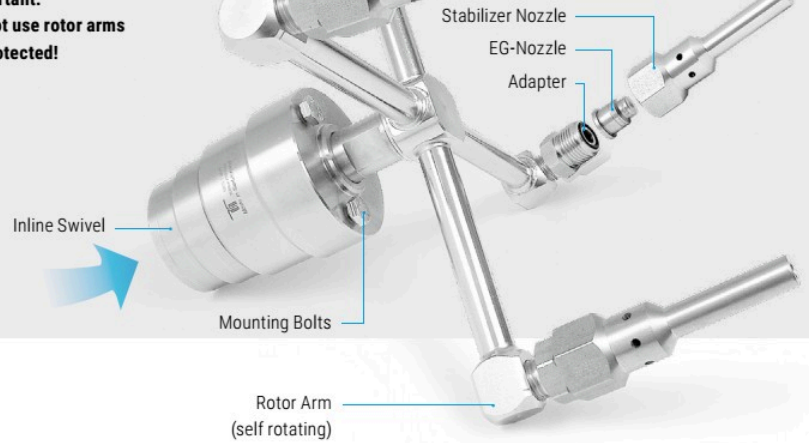
- ✓ Complete hydro-driven head for vehicle washes
- ✓ Long range impact stabilizer nozzles
- ✓ Stainless steel construction
- ✓ High and low volume versions available

This rotary-head equipped with four stabilizer nozzles makes it possible to clean all kinds of surfaces from a further distance without pressure loss. Air injection nozzles expand and contain the water flow allowing longer distance of travel and provide that "punch impact" needed for heavy debris cleaning.

Common applications:
Train, Bus, Truck, Construction,
Military Vehicles and Container Wash Systems.

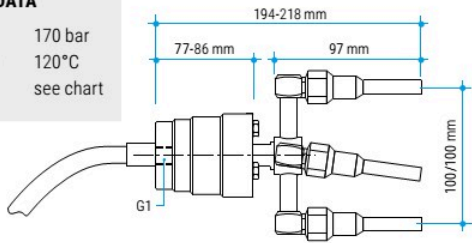


Important:
Do not use rotor arms unprotected!



TECHNICAL DATA

Pressure 170 bar
Temperature 120°C
Inlet see chart



Complete Spider A

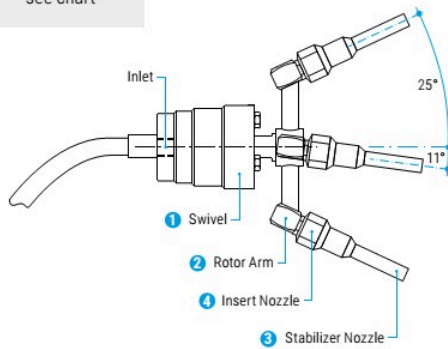
Part No.	G1 (F)	NW	Swivel	25° Rotor Arm	Stabilizer Nozzles	Insert Nozzle	Bolts
81.929	G3/8" F	9	DXTIs (39.603)	4w4 (82.954)	4x 14.901	---	3 Units
81.930	G1/2" F	12	DXTIs (39.805)	4w4 (82.9084)	4x 14.901	---	3 Units
81.931	G3/4" F	12	DXTIs (39.906)	4w4 (82.9084)	4x 14.901	---	3 Units
81.932	G1" F	12	DXTIs (39.908)	4w4 (82.9084)	4x 14.901	---	3 Units

* Requires 4x EG-nozzles, according to your pump specifications

TECHNICAL DATA

Pressure DYT 275 bar
DXTI 170 bar
Temperature 120°C
Inlet see chart

Design your personal Spider. Choose the swivel, rotor arm and the nozzles to suit your needs. Follow the numbers 1-4.



Individual 3/8" Spider B

1 Swivel (Inlet)	2 Rotor Arm (Diameter)	3 Stabilizer Nozzle	4 Insert Nozzle
59.603 DYT (G3/8" F)	82.9110 TKA 2w2 1/4" 11°/25° (100)	14.901	18.020EG
	82.9111 TKA 2w2 1/4" 11°/25° (150)	14.939	18.030EG
	82.9112 TKA 2w2 1/4" 11°/25° (200)		18.040EG
	82.9113 TKA 4w4 1/4" 11°/25° (100/100)		18.050EG
	82.9114 TKA 4w4 1/4" 11°/25° (150/150)		18.060EG
	82.9115 TKA 4w4 1/4" 11°/25° (200/200)		18.070EG
			18.080EG
			18.090EG

Individual 1/2" Spider

1 Swivel (Inlet)	2 Rotor Arm (Diameter)	3 Stabilizer Nozzle	4 Insert Nozzle
39.805 DXTI (G1/2" F)	82.9120 TKA 2w2 1/4" 11°/25° (100)	14.901	18.100EG
39.906 DXTI (G3/4" F)	82.9121 TKA 2w2 1/4" 11°/25° (150)	14.939	18.110EG
39.908 DXTI (G1" F)	82.9122 TKA 2w2 1/4" 11°/25° (200)		18.120EG
	82.9123 TKA 4w4 1/4" 11°/25° (100/100)		18.140EG
	82.9124 TKA 4w4 1/4" 11°/25° (150/150)		18.180EG
	82.9125 TKA 4w4 1/4" 11°/25° (200/200)		18.200EG

FEATURES

Quality Swivel

High rpm stainless steel swivel, features reinforced self lubricated stainless steel ball bearings for improved performance. The dual spring based carbide seal system, guarantees long lasting operation under tough conditions.



Rotor Arms

Can withstand up to 275 bar, are precision welded and balanced.



Stabilizer Nozzles

The Mosmatic stabilizer nozzles included with your Spider ensure the effectiveness of your cleaning by increasing the distance and impact of your spray.



Part No. 14.901 (1/4" NPTM) without insert nozzle

Part No. 14.939 (1/4" NPTM) without insert nozzle, short version



A Action diameter

Distance	Cleaning surface
250 mm	330 mm
500 mm	550 mm
750 mm	780 mm
1000 mm	1010 mm

B Action diameter

Distance	Cleaning surface		
	ø100	ø150	ø200
250 mm	440 mm	480 mm	530 mm
500 mm	700 mm	740 mm	790 mm
750 mm	950 mm	1000 mm	1050 mm
1000 mm	1200 mm	1250 mm	1300 mm